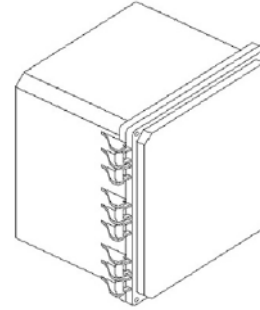
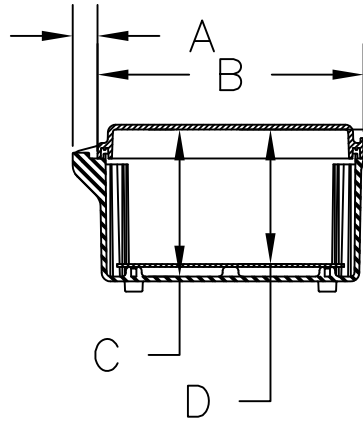
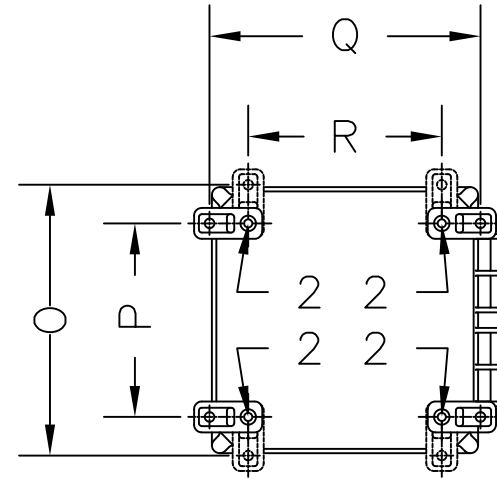
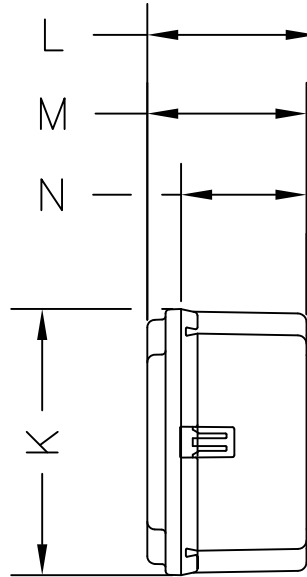
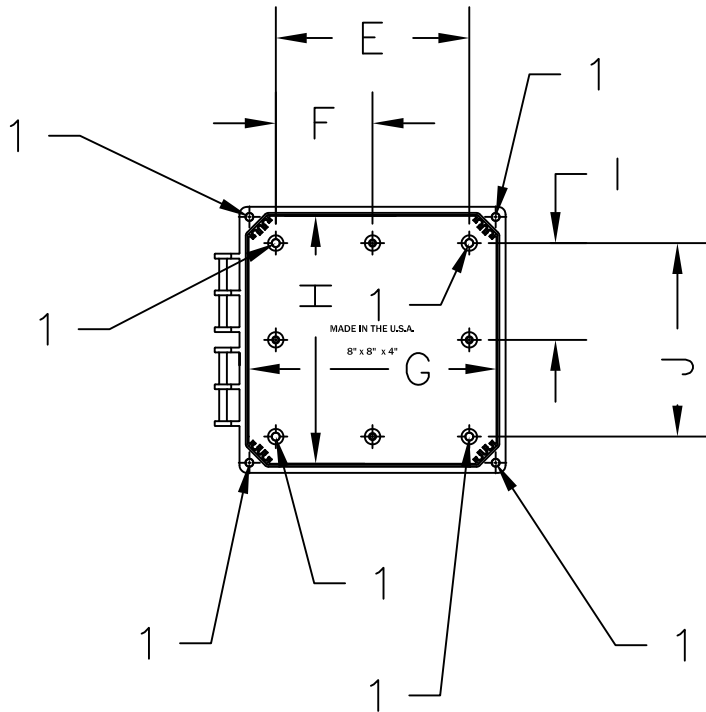


PC-080804-HXXX

NOTES: HOLES MARKED WITH "1" DENOTE #10-32UNF THREADED BRASS INSERT INSTALLED
 HOLES MARKES WITH "2" DENOTE 1/4-20UNF THREADED BRASS INSERT INSTALLED



DIM.	INCHES	DIM.	INCHES
A	13/16	J	6-1/4
B	8-5/8	K	8-5/8
C	4-3/4	L	5-1/2
D	4-3/8	M	5-1/8
E	6-1/4	N	4-1/16
F	3-1/8	O	8-3/4
G	8	P	6-1/4
H	8	Q	8-3/4
I	3-1/8	R	6-1/4



Unity
MANUFACTURING

ENCLOSURE DIMENSIONS

SCALE: PART NO.
N/A PC-080804-HXXX

CHANGES	TOLERANCES	DRAWN BY	DATE
F	DECIMALS	C. BARRICK	03/31/10
E	.XXX = ±.005	MATERIAL SPECIFICATION:	
D	.XX = ±.010	POLYCARBONATE	
C	FRACTIONAL		
B	X/X = ±.1/64		
A	ANGLES		
	X° = ±1/2°		