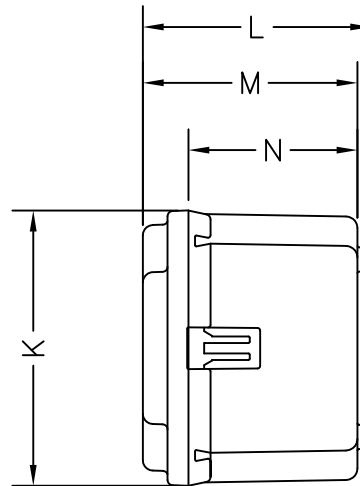
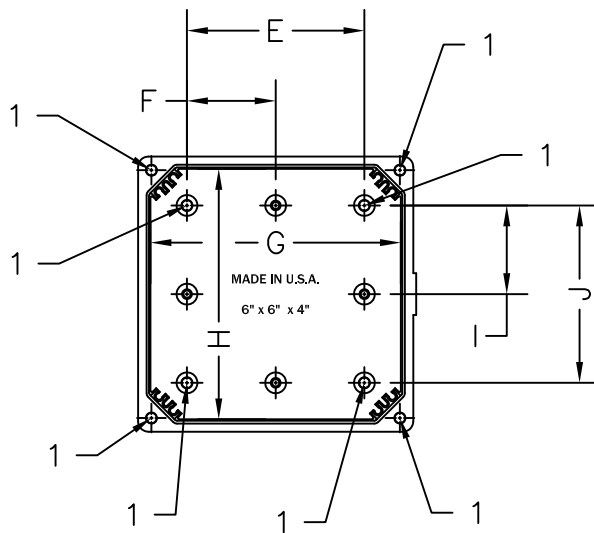
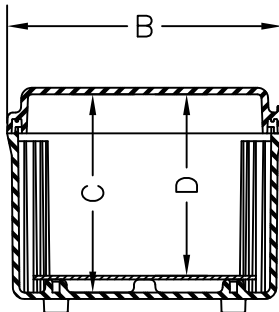
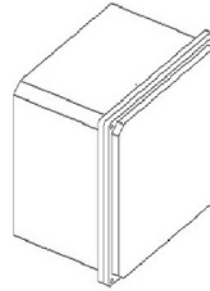
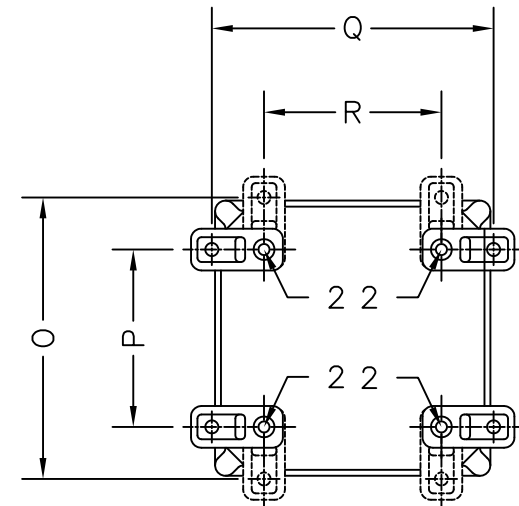


PC-060604-JXXX

NOTES: HOLES MARKED WITH "1" DENOTE #10-32UNF
 THREADED BRASS INSERT INSTALLED. HOLES
 MARKED WITH "2" DENOTE 1/4-20UNF
 THREADED BRASS INSERT INSTALLED.



DIM.	INCHES	DIM.	INCHES
A	N/A	J	4-1/4
B	6-5/8	K	6-5/8
C	4-3/4	L	5-1/2
D	4-3/8	M	5-1/8
E	4-1/4	N	4-1/16
F	2-1/8	O	6-3/4
G	6	P	4-1/4
H	6	Q	6-3/4
I	2-1/8	R	4-1/4



Unity
 MANUFACTURING

CHANGES	TOLERANCES	DRAWN BY	DATE
F	DECIMALS	C. BARRICK	03/31/10
E	.XXX = ±.005	MATERIAL SPECIFICATION:	
D	.XX = ±.010		
C	FRACTIONAL	POLYCARBONATE	
B	X/X = ±.1/64		
A	ANGLES		
	X° = ±1/2°		

ENCLOSURE
 DIMENSIONS

SCALE: PART NO.
 N/A PC-060604-JXXX