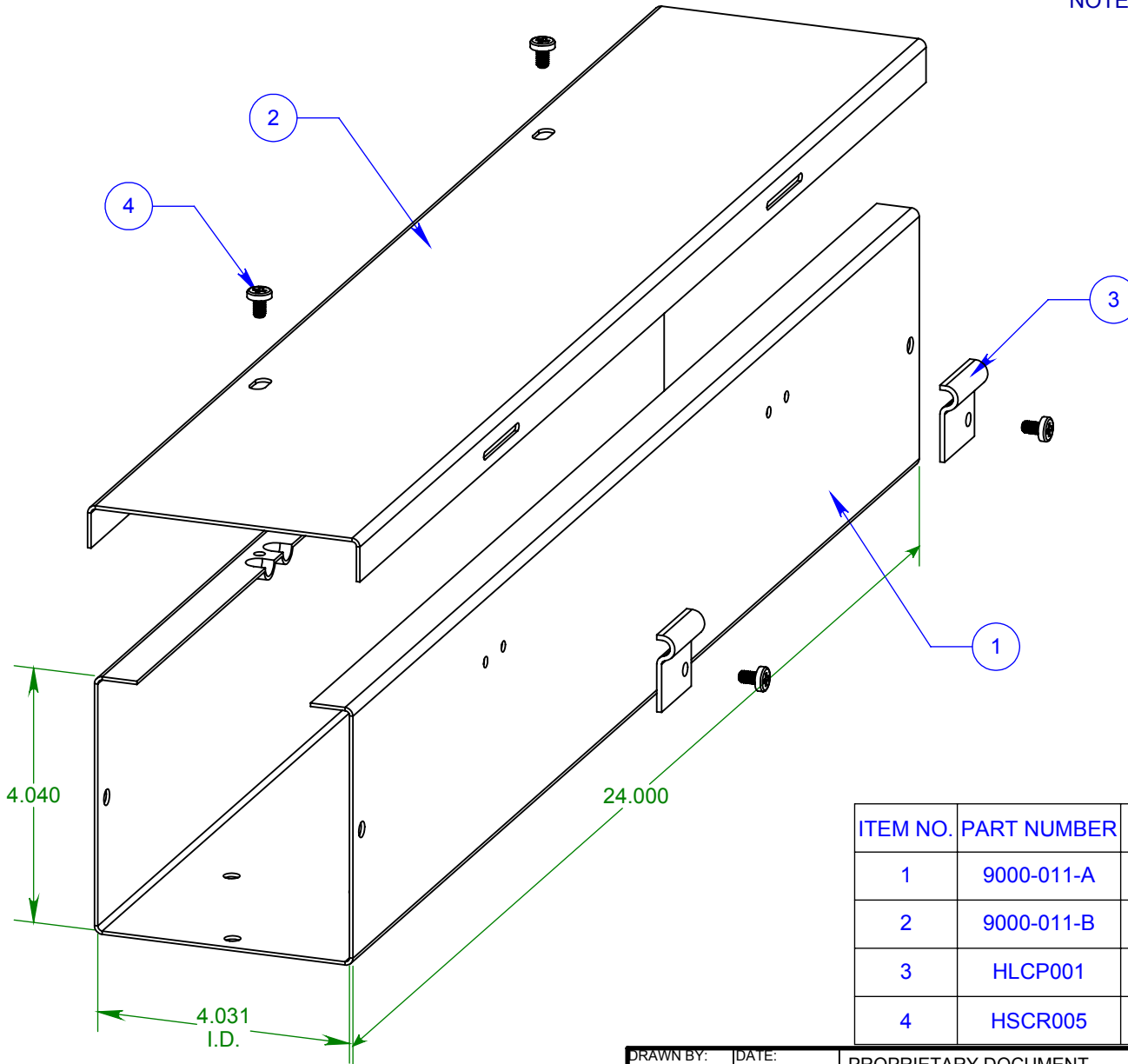


NOTE:
-U.L. LISTED, LABELS AT STANDARD LOCATION



ITEM NO.	PART NUMBER	DESCRIPTION	QTY.
1	9000-011-A	Wire Way Wrapper	1
2	9000-011-B	Wire Way Cover	1
3	HLCP001	Unity W.W. Hinge Clip	2
4	HSCR005	#10-32 X 5/16 THREAD FORMING SCREW	4

REV.	RFC/ECN	REVISION DESCRIPTION	BY	DATE

DRAWN BY: RLB
 DATE: 7/17/2013
 CHKD BY: DATE:
 MFG APVL BY: DATE:
 QA APVL BY: DATE:
 TOLERANCE:
 DECIMAL ± .031
 ANGULAR ± 1°

PROPRIETARY DOCUMENT.
 PROPERTY OF UNITY
 MANUFACTURING. NOT TO BE
 REPRODUCED BY ANY MEANS OR
 USED TO FURNISH INFORMATION TO
 OTHERS WITHOUT THE EXPLICIT
 CONSENT OF UNITY MANUFACTURING.
 ALL RIGHT RESERVED.
 MATERIAL:
 16 ga.CRS
 PROJECT:
 T1 Lay-In Wire Way

DRAWING SIZE:
A
 SCALE:
 1:2.5
 FINISH:
 PPOW004
 DRAWING NO.:
 9000-011
 DESCRIPTION:
 4X4X24

Unity
 MANUFACTURING
 210 Buckingham Rd.
 Garland, TX 75040
 PH: 800.657.6100

PART NO.: 4424GNK
 Rev.:
 SHEET: 1 of 1