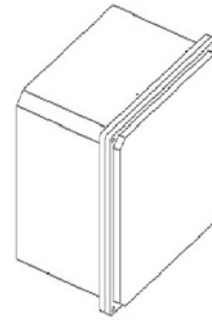
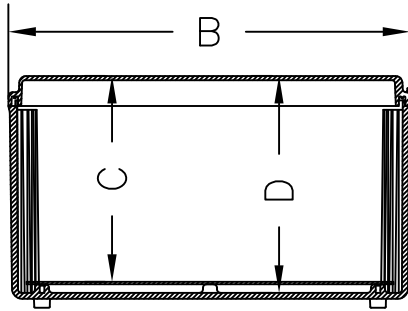
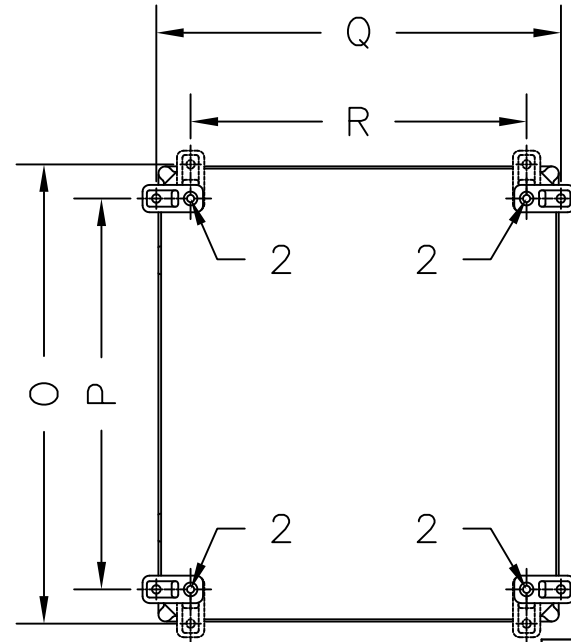
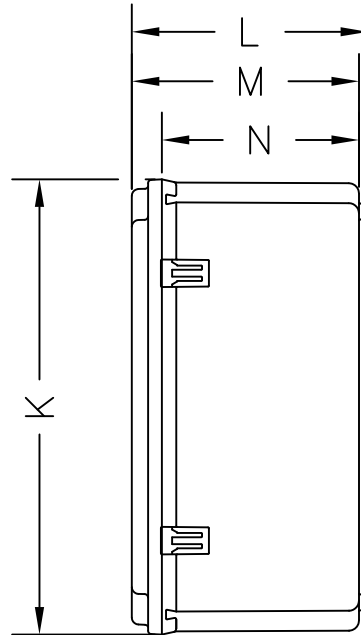
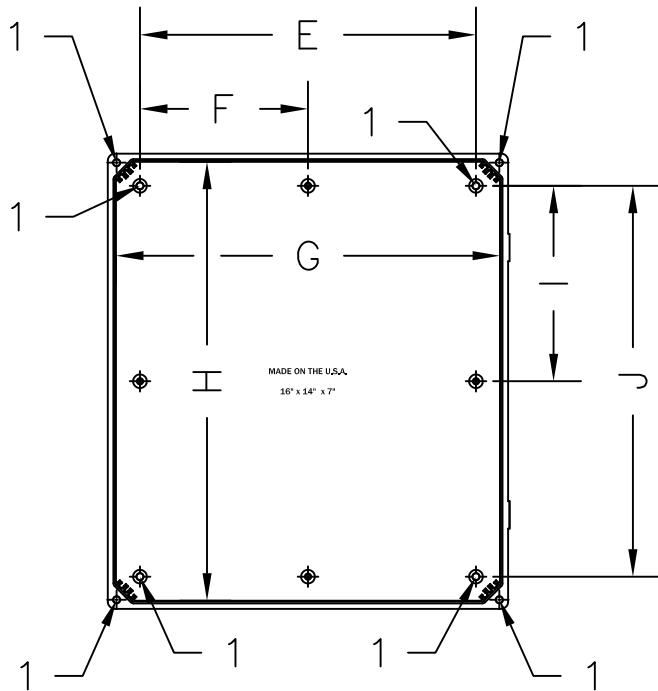


PC-161407-JXXX

NOTES: HOLES MARKED WITH "1" DENOTE #10-32UNF THREADED BRASS INSERT INSTALLED
 HOLES MARKES WITH "2" DENOTE 1/4-20UNF THREADED BRASS INSERT INSTALLED



DIM.	INCHES	DIM.	INCHES
A	N/A	J	14-1/4
B	14-5/8	K	16-5/8
C	7-3/8	L	8-5/8
D	7-3/4	M	8-5/16
E	12-1/4	N	7-3/16
F	6-1/8	O	16-3/4
G	14	P	14-1/4
H	16	Q	14-3/4
I	7-1/8	R	12-1/4



CHANGES	TOLERANCES	DRAWN BY	DATE
F	DECIMALS	C. BARRICK	03/29/10
E	.XXX = ±.008		
D	.XX = ±.010		
C	FRACTIONAL	MATERIAL SPECIFICATION:	
B	X/X = ±1/84	POLYCARBONATE	
A	ANGLES		
	X° = ±1/2°		

ENCLOSURE DIMENSIONS	
SCALE: PART NO.	PC-161407-JXXX
N/A	