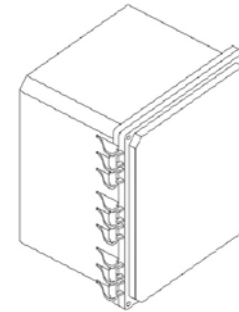
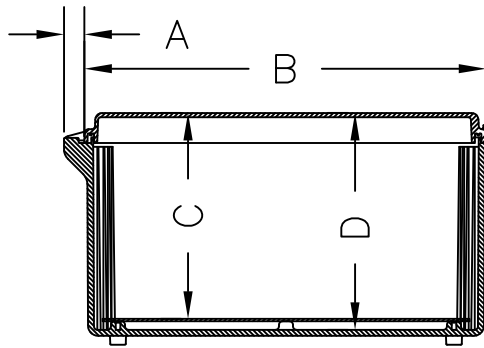
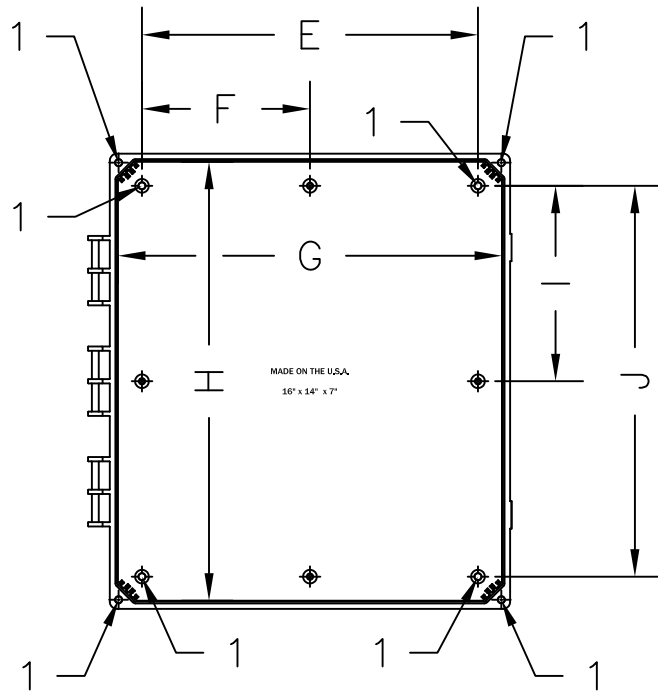


PC-161407-HXXX

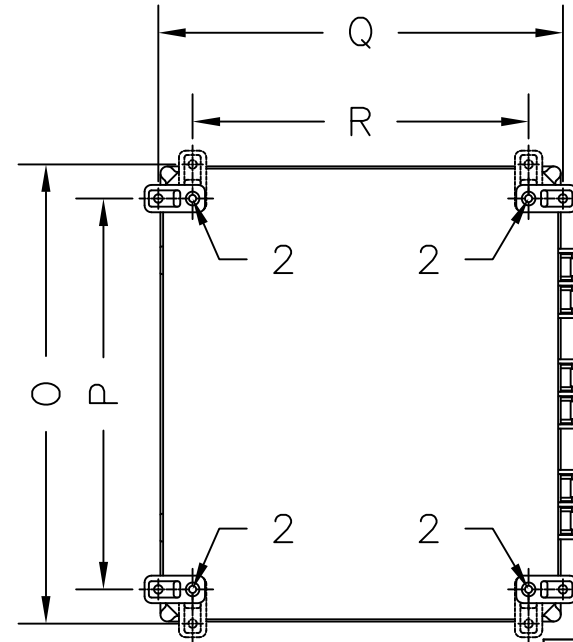
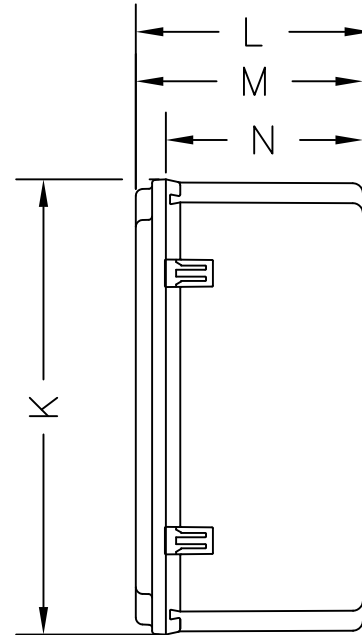
NOTES: HOLES MARKED WITH "1" DENOTE #10-32UNF THREADED BRASS INSERT INSTALLED
 HOLES MARKES WITH "2" DENOTE 1/4-20UNF THREADED BRASS INSERT INSTALLED



DIM.	INCHES	DIM.	INCHES
A	13/16	J	14-1/4
B	14-5/8	K	16-5/8
C	7-3/8	L	8-5/8
D	7-3/4	M	8-5/16
E	12-1/4	N	7-3/16
F	6-1/8	O	16-3/4
G	14	P	14-1/4
H	16	Q	14-3/4
I	7-1/8	R	12-1/4



MADE ON THE U.S.A.
 16" x 14" x 7"



Unity
 MANUFACTURING

CHANGES	TOLERANCES	DRAWN BY	DATE
F	DECIMALS	C. BARRICK	03/29/10
E	.000 = ±.0008	MATERIAL SPECIFICATION:	
D	.001 = ±.010		
C	FRACTIONAL	POLYCARBONATE	
B	X/X = ±.1/84		
A	ANGLES	SCALE: PART NO.	
	X° = ±1/2°		

ENCLOSURE DIMENSIONS	
N/A	PC-161407-HXXX