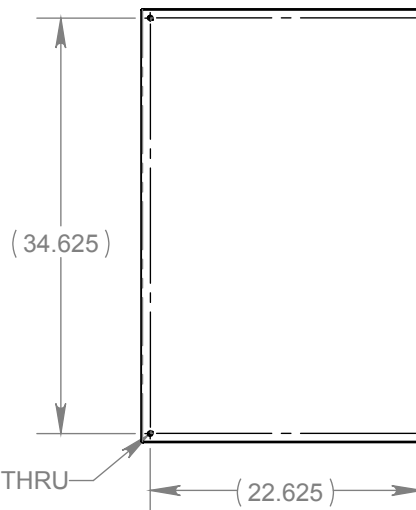
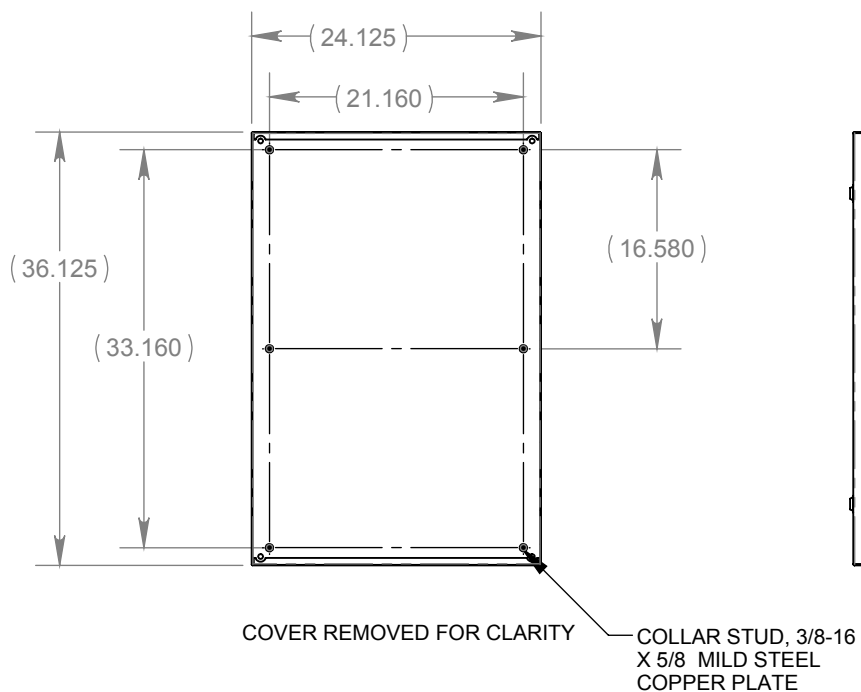
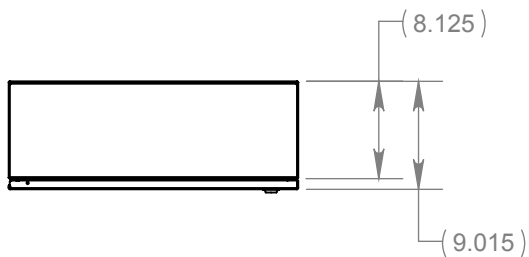
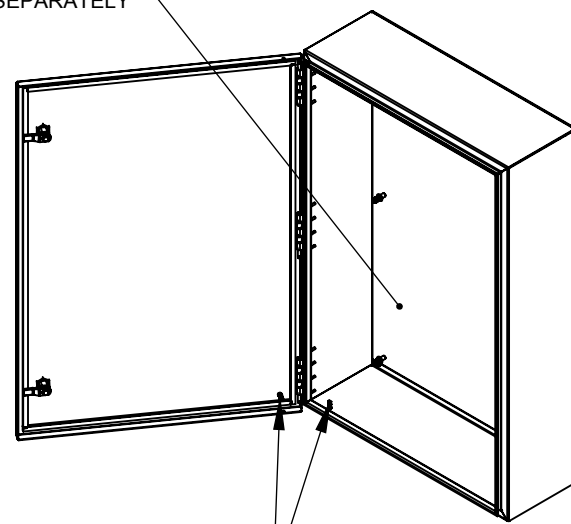


BACK PANEL USBP3624
SOLD SEPARATELY



GROUND STUD

- NOTES:
1. U.L. LISTED, LABELS AT STANDARD LOCATION
2. DEBURR AND REMOVE ALL SHARP EDGES

REV	ECN	REV BY	DATE	REV APV BY
A	NA	NA	NA	NA

DESCRIPTION:
INITIAL PRINT

DRAWN BY: R.JL
DATE: 6/6/2016
ALL LINEAR DIMS ARE IN INCHES UNLESS NOTED
TOLERANCES UNLESS NOTED:
XXX ± .031
HOLE Ø = +.015 - .001
MATERIAL: SEE BOM
PRODUCT FAMILY: SIGNATURE SERIES

PROPRIETARY DOCUMENT. PROPERTY OF UNITY MANUFACTURING. NOT TO BE REPRODUCED BY ANY MEANS OR USED TO FURNISH INFORMATION TO OTHERS WITHOUT THE EXPLICIT CONSENT OF UNITY MANUFACTURING. ALL RIGHTS RESERVED.
WEIGHT: 80.685
PAINT WEIGHT: 0.628
ENCLOSURE ASSY

DRAWING SIZE: A
SCALE: 1:16
DXF: NA



PART NO.: 26054 CUST