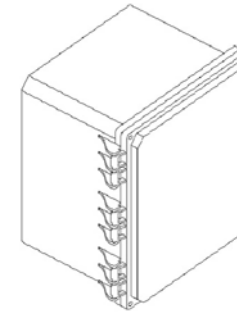
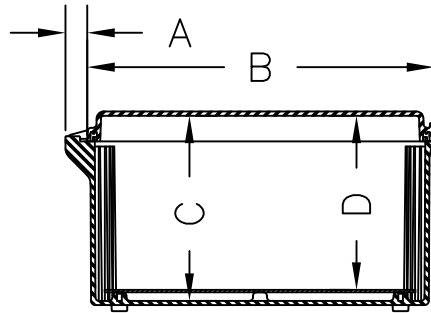
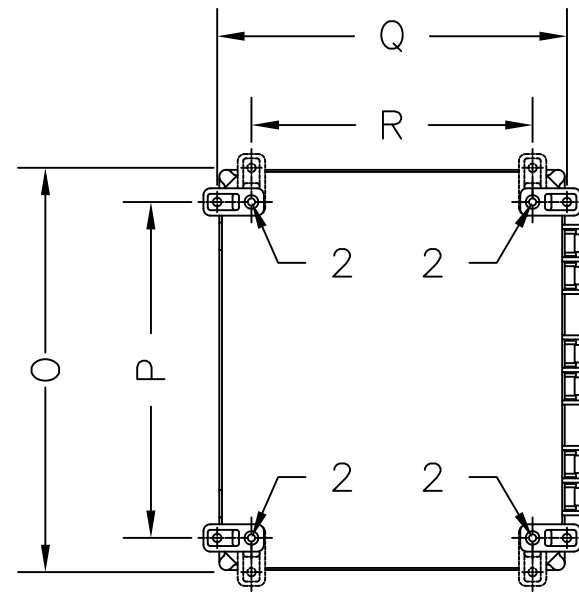
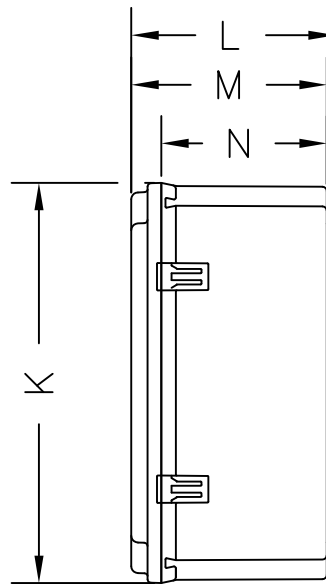
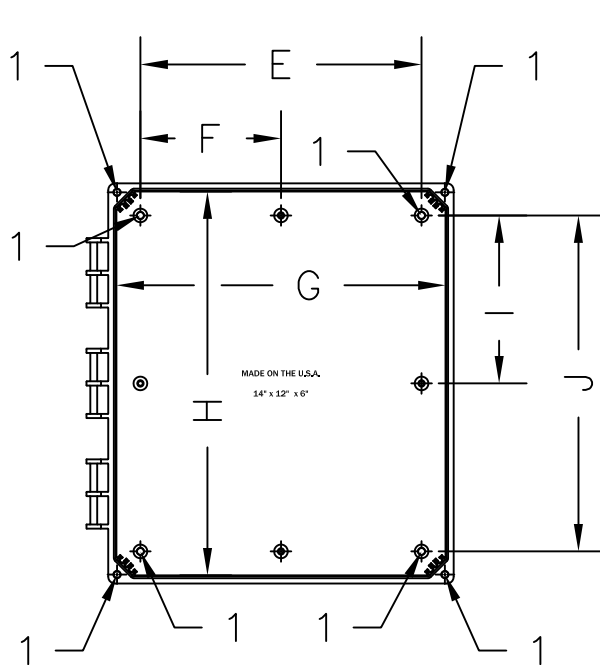


PC-141206-HXXX

NOTES: HOLES MARKED WITH "1" DENOTE #10-32UNF THREADED BRASS INSERT INSTALLED  
HOLES MARKES WITH "2" DENOTE 1/4-20UNF THREADED BRASS INSERT INSTALLED



DIM.	INCHES	DIM.	INCHES
A	13/16	J	12-1/4
B	12-5/8	K	14-5/8
C	6-3/4	L	7-7/16
D	6-3/8	M	7-1/8
E	10-1/4	N	6-1/16
F	5-1/8	O	14-3/4
G	12	P	12-1/4
H	14	Q	12-3/4
I	6-1/8	R	10-1/4



**Unity**  
MANUFACTURING

CHANGES	TOLERANCES	DRAWN BY	DATE
F	DECIMALS	C. BARRICK	03/30/10
E	.XXX = ±.008		
D	.XX = ±.010		
C	FRACTIONAL		
B	X/X = ±.1/84		
A	ANGLES		
	X° = ±1/2°		

MATERIAL SPECIFICATION:  
POLYCARBONATE

SCALE: PART NO.  
N/A PC-141206-HXXX

ENCLOSURE  
DIMENSIONS