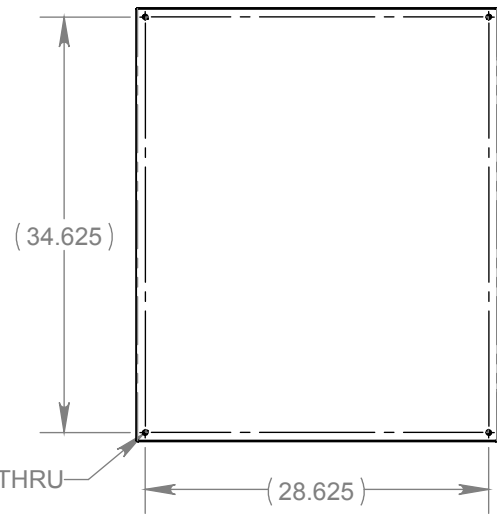
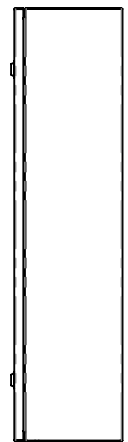
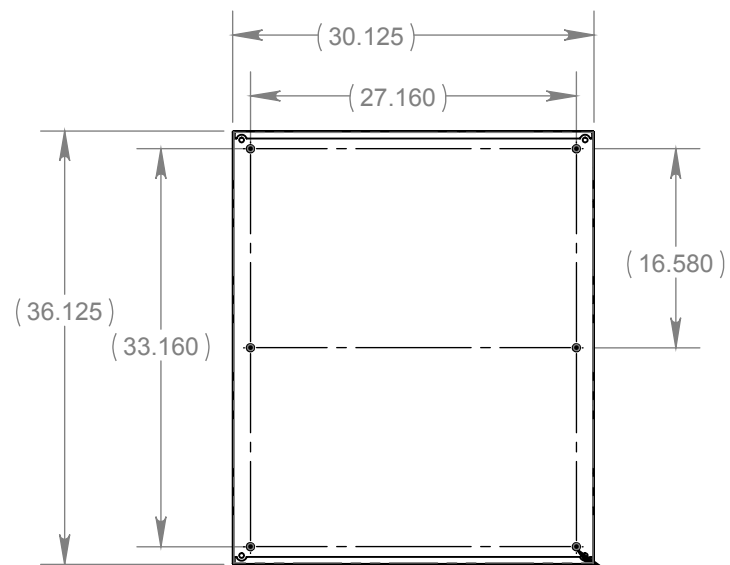
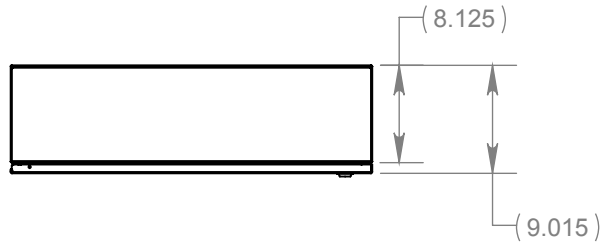
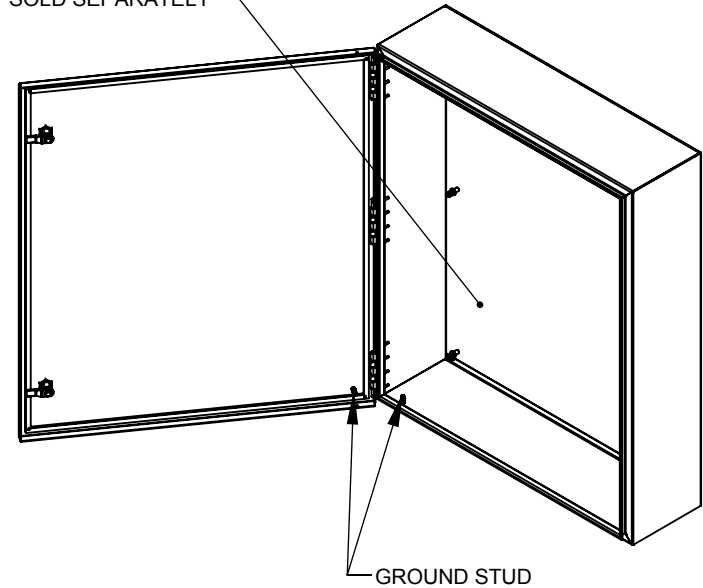


BACK PANEL USBP3630  
SOLD SEPARATELY



COVER REMOVED FOR CLARITY  
COLLAR STUD, 3/8-16 X 5/8 MILD STEEL  
COPPER PLATE

4X Ø .406 THRU

GROUND STUD

- NOTES:  
1. U.L. LISTED, LABELS AT STANDARD LOCATION  
2. DEBURR AND REMOVE ALL SHARP EDGES

REV	ECN	REV BY	DATE	REV APV BY
A	NA	NA	NA	NA

DESCRIPTION:  
INITIAL PRINT

DRAWN BY: R.JL  
DATE: 6/7/2016  
ALL LINEAR DIMS ARE IN INCHES UNLESS NOTED  
TOLERANCES UNLESS NOTED:  
XXX ± .031  
HOLE Ø = +.015 -.001  
MATERIAL: SEE BOM  
PRODUCT FAMILY: SIGNATURE SERIES

PROPRIETARY DOCUMENT. PROPERTY OF UNITY MANUFACTURING. NOT TO BE REPRODUCED BY ANY MEANS OR USED TO FURNISH INFORMATION TO OTHERS WITHOUT THE EXPLICIT CONSENT OF UNITY MANUFACTURING. ALL RIGHTS RESERVED.  
WEIGHT: 96.192  
PAINT WEIGHT: 0.745  
DESCRIPTION: ENCLOSURE ASSY  
PART NO.: 26063 CUST

DRAWING SIZE: A  
SCALE: 1:16  
DXF: NA

