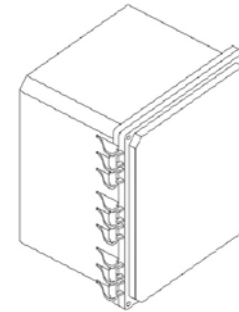
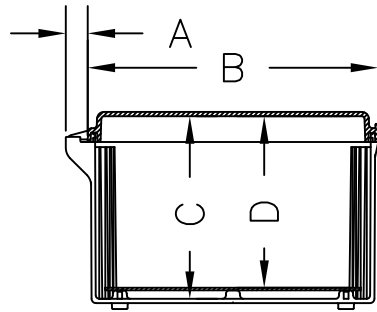
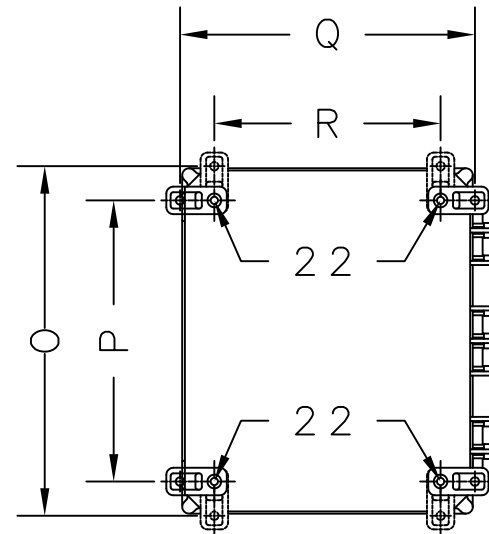
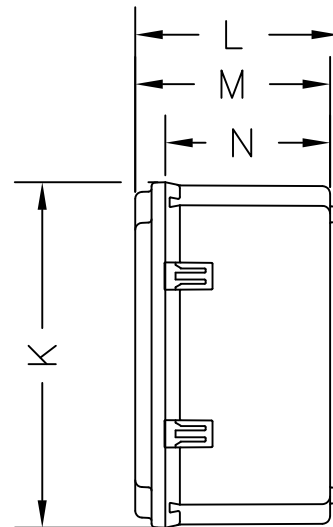
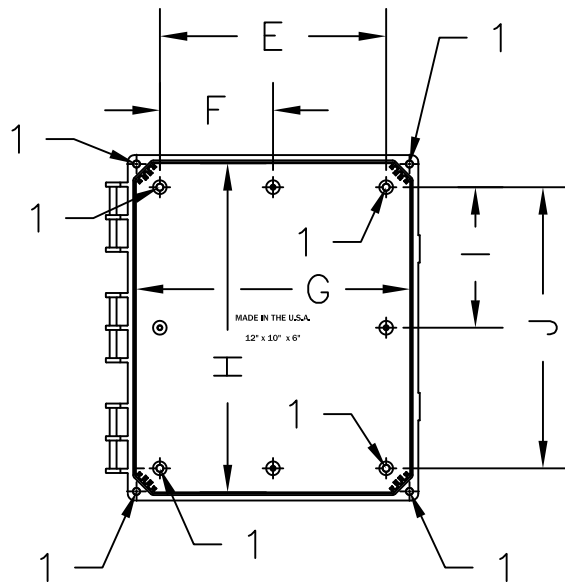


PC-121006-HXXX

NOTES: HOLES MARKED WITH "1" DENOTE #10-32UNF THREADED BRASS INSERT INSTALLED
 HOLES MARKES WITH "2" DENOTE 1/4-20UNF THREADED BRASS INSERT INSTALLED



DIM.	INCHES	DIM.	INCHES
A	13/16	J	10-1/4
B	10-5/8	K	12-5/8
C	6-5/8	L	7-7/16
D	6-1/4	M	7-1/8
E	8-1/4	N	6
F	4-1/8	O	12-3/4
G	10	P	10-1/4
H	12	Q	10-3/4
I	5-1/8	R	8-1/4



Unity
MANUFACTURING

CHANGES	TOLERANCES	DRAWN BY	DATE
F	DECIMALS	C. BARRICK	03/30/10
E	.300X = ±.008		
D	.30X = ±.010		
C	FRACTIONAL	MATERIAL SPECIFICATION:	
B	X/X = ±.1/84	POLYCARBONATE	
A	ANGLES		
	X° = ±1/2°		

ENCLOSURE DIMENSIONS	
SCALE: PART NO.	PC-121006-HXXX
N/A	