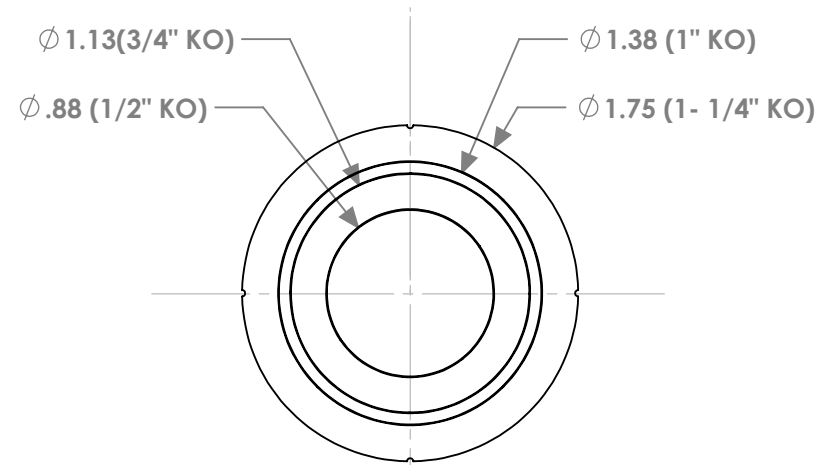
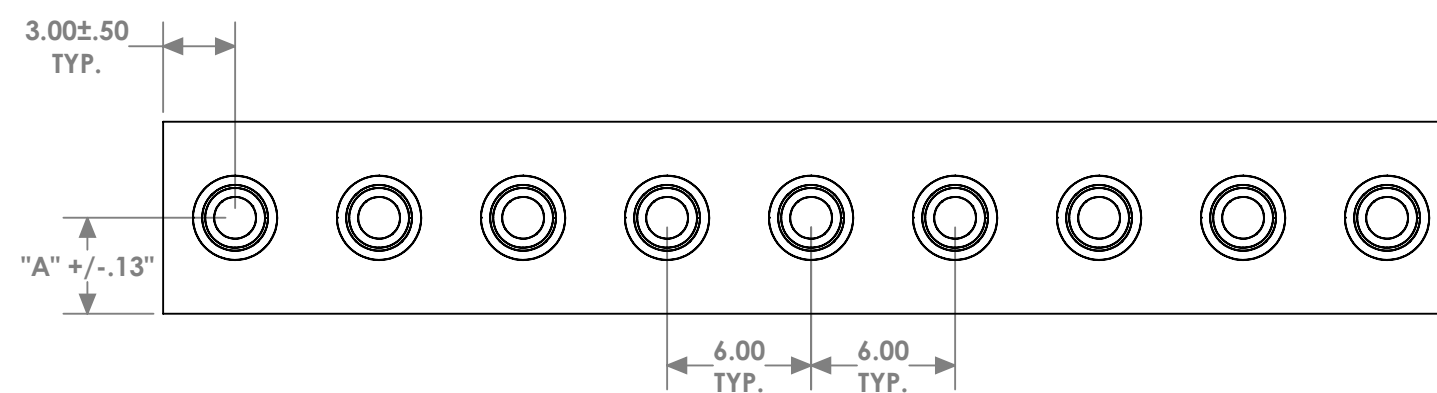


FREEFORM PATTERNS



CONCENTRIC KO'S



NEMA1 FLAT LID AND HINGED WIREWAY KNOCK OUT PATTERN

SIZE	DEEP	WIDE	LENGTHS	"A"
4X4	4	4	12,24,36,48,60	1.5
6X6	6	6	12,24,36,48,60	2.0

PATTERN	NEMA1 SCREW COVER WITH KO				
	WIDTH	HEIGHT	DEPTH	#KO'S IN WIDTH	#KO'S IN HEIGHT
v-notch	4	4	4	1	1
Freeform	4	6	4	1	1
Freeform	6	6	4 OR 6	2	2
Freeform	6	8	4 OR 6	2	2
Freeform	6	10	4 OR 6	2	3
Freeform	6	12	4 OR 6	2	3
Freeform	8	8	4 OR 6	2	2
Freeform	8	10	4 OR 6	2	3
Freeform	8	12	4 OR 6	2	3
Freeform	10	10	4 OR 6	3	3
Freeform	10	12	4 OR 6	3	3
Freeform	12	12	4 OR 6	3	3
ww	12	16	4 OR 6	3	4
ww	12	18	4 OR 6	3	5
ww	12	24	4 OR 6	3	7

STANDARD TOLERANCES

.XX =
.XXX =
ANGLES =



TITLE

UNITY KNOCKOUT PATTERNS

MATERIAL

NA

D/N

NA

FINISH

NA

P/N

NA

SIZE

C

SHEET 1 OF 1

A INITIAL PRINT

REVISIONS

ECN DATE BY REV

PROPRIETARY DOCUMENT - PROPERTY OF UNITY MANUFACTURING NOT TO BE REPRODUCED BY ANY MEANS OR USED TO FURNISH INFORMATION TO OTHERS WITHOUT THE EXPLICIT CONSENT OF UNITY MANUFACTURING ALL RIGHTS RESERVED, YEAR