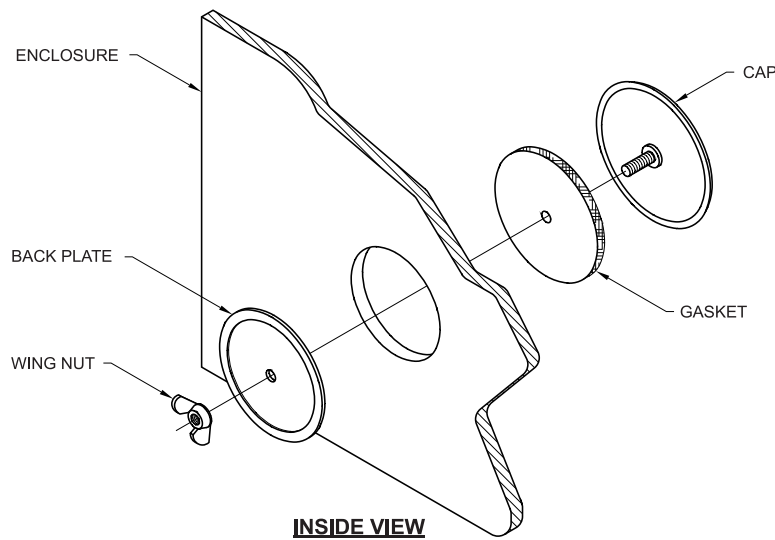


Oil-Tight Hole Seals

Steel, ANSI 61 Gray Painted

*Stainless Steel Available Upon Request

Protects knockout openings and extra push-button or conduit openings from dirt, oil, dust and water.



**Gray Painted Hole Seal, ANSI-61
Item No. UHS75**

UNITY ITEM #	UPC 761515	CARTON QTY.	APPLICATION	MAX. HOLE DIAMETER	HOLE SEAL DIAMETER	LIST
UHS50	60001	10	1/2" CONDUIT HOLES	0.88	1.38	\$11.20
UHS75	60003	10	3/4" CONDUIT HOLES	1.06	1.56	\$14.12
UHS100	60005	10	1" CONDUIT HOLES	1.38	1.88	\$19.48
UHS125	60007	5	1 1/4" CONDUIT HOLES	1.69	2.19	\$21.72
UHS150	60009	5	1 1/2" CONDUIT HOLES	2.00	2.50	\$24.80
UHS200	60011	5	2" CONDUIT HOLES	2.50	3.00	\$27.32
UHS250	60013	5	2 1/2" CONDUIT HOLES	3.00	3.50	\$34.80
UHS300	60015	1	3" CONDUIT HOLES	3.62	4.12	\$45.84
UHS350	60017	1	3 1/2" CONDUIT HOLES	4.12	4.62	\$59.60
UHS400	60019	1	4" CONDUIT HOLES	4.62	5.12	\$76.44

Prices subject to change without notice
Replaces all previous prices