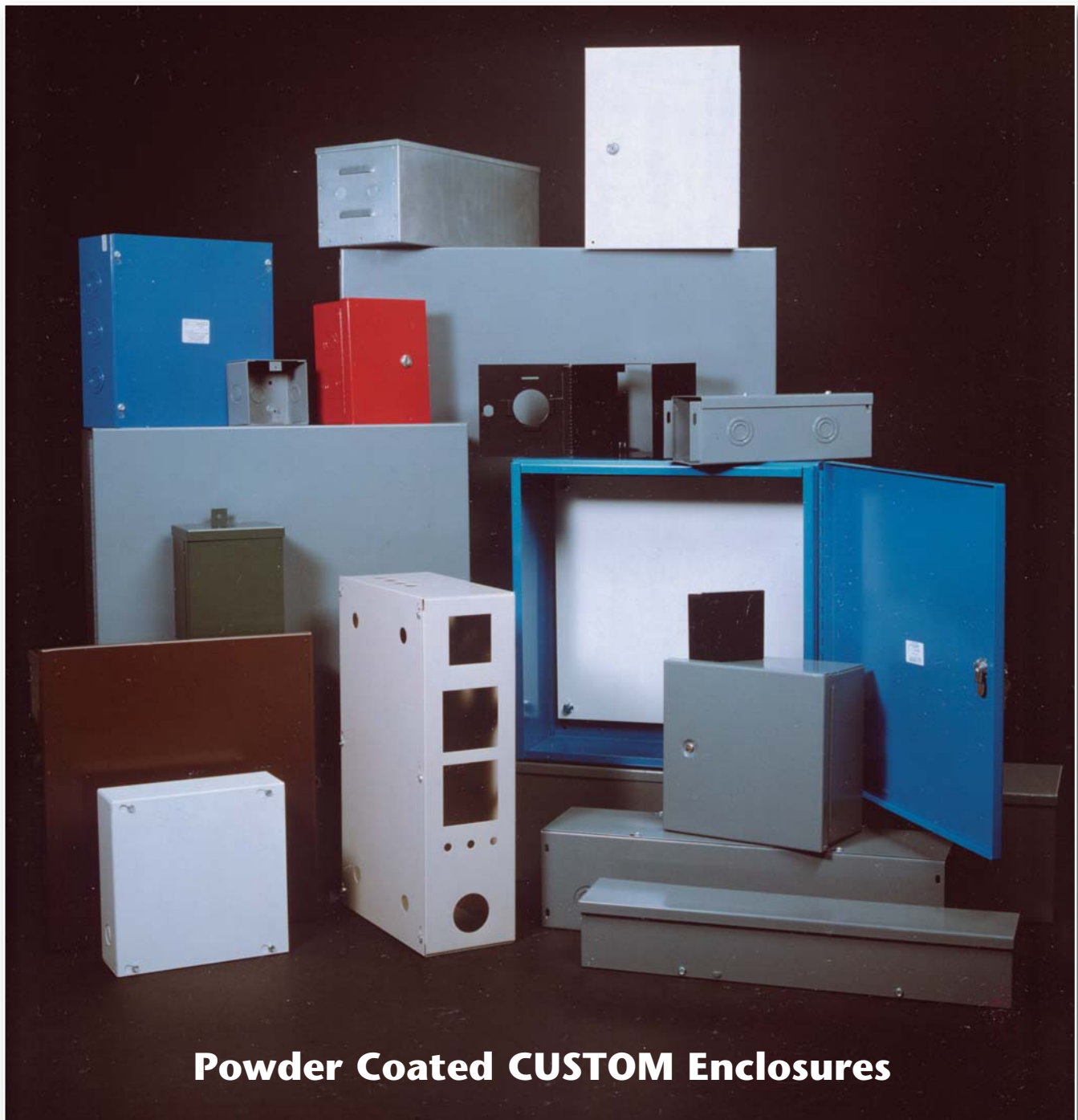


Metal Electrical Enclosures



Suggested User Price List Prices Effective May 15th, 2010



Powder Coated CUSTOM Enclosures

Design assistance, custom tooling, rapid response. National distribution, environmentally responsible. Currently serving the following industries:

- Irrigation System
- Cable
- HVAC
- Security and Fire Alarm
- Pool and Spa
- Energy Management
- Satellite
- Transformer Enclosures
- Pollution Control
- Government Jobs
- Rapid Transit
- Motor Controls
- Elevator
- Tree Lighting

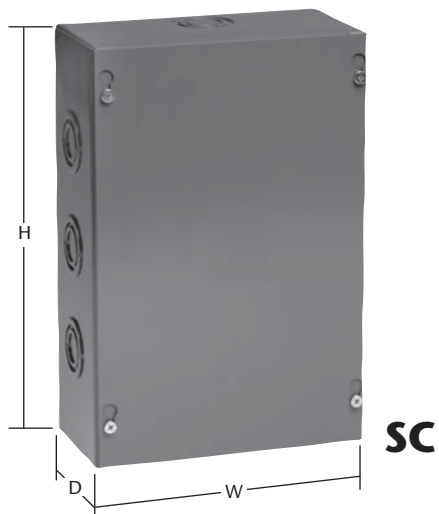
Table of Contents

PAGE	
4	Type 1 Screw Cover Junction and Pull Boxes Gray Powder Coated
5	Type 1 Screw Cover Junction and Pull Boxes Galvanized
	Type 1 Flush Cover Lids for Type 1 Pull Box Gray Powder Coated
6	Type 3R Screw Cover Enclosures Gray Powder Coated
7	Type 3R Screw Cover Enclosures Galvanized
8	Type 3 Gasketed Weatherproof Gray Powder Coated
9	Type 1 Hinged Cover Cut-Out Boxes Gray Powder Coated
10	Type 1 Panel Enclosures Gray Powder Coated
11	Recessed Cover Enclosures Gray Powder Coated with Perforated Back Panel
12	SOHO Enclosures Small Office Home Office Beige Powder Coated
13	Type 3R Wiring Trough Gray Powder Coated
14	Type 3R Wiring Trough Galvanized
15	Type 1 Lay-in Wireway Removable Hinge Cover Gray Powder Coated
16	Type 1 Lay-in Wireway Flat Lid With Knock-outs Gray Powder Coated
17	Type 1 Lay-in Wireway Flat Lid No Knock-outs Gray Powder Coated
18	Type 1 Lay-in Wireway Flat Lid No Knock-outs Galvanized
19-22	Type 1 Lay-in Wireway Fittings Gray Powder Coated Galvanized
23	Type 1 Telephone Cabinets Flush and Surface Mount Gray Powder Coated
24	Type 1 and Type 3R Current Transformer Cabinets Single Door Gray Powder Coated
25	Type 1 and Type 3R Current Transformer Cabinets Double Door Gray Powder Coated
26	Spare Fuse Cabinets Gray Powder Coated
27	General Conditions of Sale



Unity Manufacturing has produced quality electrical enclosures at our 122,000 sq. ft. facility in Garland, Texas for over 30 years. Our total dedication to product research and design and our customer friendly service has made us a leader in the industry. In addition to our standard product line, we manufacture a wide variety of special application enclosures. Our sales and engineering team look forward to serving your enclosure needs.

Type 1 Screw Cover Junction and Pull Boxes Gray Powder Coated



Application

- Designed for use as junction and pull boxes
- Flush covers available (see page 5)

Construction

- Formed from code gauge, low carbon steel
- Keyhole slotted cover allows plated screws to stay in place
- Complies with UL 50

Specials

- Custom sizes and modifications available
- Optional powder coat colors available

Popular sizes in stock

When ordering always specify width, height and depth

With Knock-outs

Catalog #	UPC 761515	Size W"xH"xD"	STD CTN	WGT	List Price, \$
444SC	22010	4x4x4	1	1	17.78
664SC	22130	6x6x4	12	3	20.00
684SC	22160	6x8x4	1	3	26.67
6124SC	22166	6x12x4	1	5	35.56
884SC	22280	8x8x4	6	4	31.11
8104SC	22320	8x10x4	1	5	33.33
8124SC	22360	8x12x4	1	6	37.78
10104SC	22430	10x10x4	6	6	37.78
12124SC	22580	12x12x4	6	8	47.78
12184SC	22700	12x18x4	1	11	73.33
666SC	22140	6x6x6	8	3	25.56
886SC	22290	8x8x6	4	5	35.56
10106SC	22440	10x10x6	4	7	46.67
12126SC	22590	12x12x6	4	10	60.00
12186SC	22710	12x18x6	1	14	84.44

No Knock-outs

Catalog #	UPC 761515	Size W"xH"xD"	STD CTN	WGT	List Price, \$
444SCNK	22012	4x4x4	1	1	17.78
664SCNK	22132	6x6x4	12	3	20.00
884SCNK	22282	8x8x4	6	4	31.11
10104SCNK	22432	10x10x4	6	6	37.78
12124SCNK	22582	12x12x4	6	8	47.78
16164SCNK	22940	16x16x4	1	12	84.18
18184SCNK	23020	18x18x4	4	16	96.67
24244SCNK	23290	24x24x4	3	27	231.11
666SCNK	22142	6x6x6	8	3	25.56
886SCNK	22292	8x8x6	4	5	35.56
10106SCNK	22442	10x10x6	4	7	46.67
12126SCNK	22592	12x12x6	4	10	60.00
16166SCNK	22950	16x16x6	1	14	97.78
18186SCNK	23030	18x18x6	3	19	106.67
18246SCNK	23100	18x24x6	1	24	194.44
24246SCNK	23300	24x24x6	2	30	222.22
30306SCNK	23420	30x30x6	1	45	533.33
36366SCNK	23440	36x36x6	1	60	533.33
888SCNK	22300	8x8x8	2	6	57.78
12128SCNK	22600	12x12x8	2	11	80.00
18188SCNK	23040	18x18x8	2	20	133.33
24248SCNK	23310	24x24x8	2	34	248.89
30308SCNK	23480	30x30x8	1	51	533.33
36368SCNK	23500	36x36x8	1	78	533.33
48488SCNK	23505	48x48x8	1	195	1,502.22
121210SCNK	22610	12x12x10	1	13	111.11
181810SCNK	23050	18x18x10	1	23	186.67
242410SCNK	23320	24x24x10	1	38	346.67
303010SCNK	23530	30x30x10	1	55	555.56
363610SCNK	23550	36x36x10	1	79	711.11
121212SCNK	22620	12x12x12	1	15	133.33
181812SCNK	23060	18x18x12	1	25	186.67
242412SCNK	23330	24x24x12	1	44	355.56
303012SCNK	23580	30x30x12	1	65	555.56
363612SCNK	23600	36x36x12	1	87	711.11
484812SCNK	23605	48x48x12	1	220	1,555.56



Spray Paint Gunsmoke Gray

Catalog #	UPC 1515	Size	STD CTN	WGT	List Price, \$
SPG	17990	12 oz., can	1	1	44.00

Type 1 Screw Cover Junction and Pull Boxes Galvanized

Application

- Designed for use as junction and pull boxes

Construction

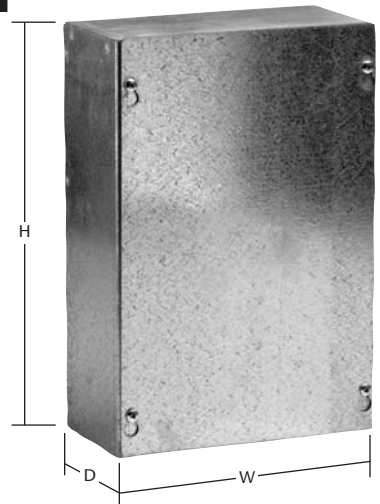
- Formed from code gauge, mill galvanized steel
- Keyhole slotted cover allows plated screws to stay in place
- Complies with UL 50

Specials

- Custom sizes and modifications available

Popular sizes in stock

When ordering always specify width, height and depth



SCG

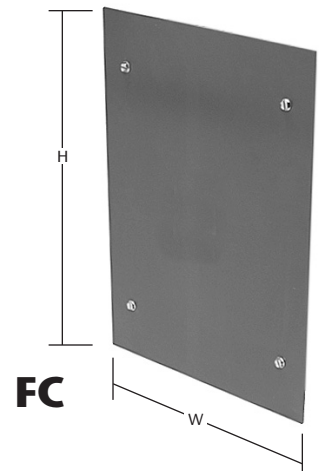
No Knock-outs

Catalog #	UPC 761515	Size W"xH"xD"	STD CTN	WGT	List Price, \$
444SCG	25010	4x4x4	1	1	17.78
664SCG	25012	6x6x4	1	3	20.00
884SCG	25014	8x8x4	1	4	31.11
10104SCG	25016	10x10x4	1	6	37.78
12124SCG	25018	12x12x4	1	8	47.78
18184SCG	25020	18x18x4	1	16	96.67
666SCG	25030	6x6x6	1	3	25.56
886SCG	25032	8x8x6	1	5	35.56
10106SCG	25034	10x10x6	1	7	46.67
12126SCG	25036	12x12x6	1	10	60.00

Catalog #	UPC 761515	Size W"xH"xD"	STD CTN	WGT	List Price, \$
16166SCG	25038	16x16x6	1	14	105.56
18186SCG	25040	18x18x6	1	19	106.67
24246SCG	25041	24x24x6	1	30	222.22
12128SCG	25045	12x12x8	1	11	80.00
18188SCG	25047	18x18x8	1	20	133.33
24248SCG	25049	24x24x8	1	34	248.89
36368SCG	23501	36x36x8	1	78	553.33
242412SCG	25050	24x24x12	1	44	355.56
363612SCG	25052	36x36x12	1	87	711.11
484812SCG	42940	48x48x12	1	220	1,555.56

Type 1 Flush Cover Lids For Type 1 Pull Box Gray Powder Coated

*Mill Galvanized Covers Available Upon Request



FC

Catalog #	UPC 761515	Size	STD CTN	WGT	List Price, \$
44FC	24010	6x6	1	0.5	8.89
66FC	24030	8x8	1	1	9.96
88FC	24050	10x10	1	1.5	12.22
1010FC	24080	12x12	1	2	15.56

Catalog #	UPC 761515	Size	STD CTN	WGT	List Price, \$
1212FC	24100	14x14	1	3	21.11
1218FC	24120	14x20	1	4	25.78
1616FC	24140	18x18	1	4.75	27.78
1818FC	24150	20x20	1	6	28.89
2424FC	24170	26x26	1	14	45.56

Prices subject to change without notice Replaces all previous prices

Type 3R Screw Cover Enclosures

Gray Powder Coated



Application

- Designed for use as wiring and junction boxes

Construction

- Formed from code gauge, low carbon steel
- Drip shield top, seam free sides
- Slip-on cover without gasket
- Complies with UL 50 Type 3R

Specials

- Custom sizes and modifications available
- Optional powder coat colors available

Popular sizes in stock

When ordering always specify width, height and depth



With Knock-outs

Catalog #	UPC 761515	Size W"xH"xD"	STD CTN	WGT	List Price, \$
444RTSC	34010	4x4x4	1	1	27.56
464RTSC	34020	4x6x4	1	2	32.22
664RTSC	34050	6x6x4	12	3	32.22
684RTSC	34100	6x8x4	1	3	42.22
884RTSC	34170	8x8x4	6	4	42.22
10104RTSC	34280	10x10x4	6	6	60.00
12124RTSC	34380	12x12x4	6	8	73.33
666RTSC	34070	6x6x6	8	3	42.22
886RTSC	34200	8x8x6	4	5	54.44
10106RTSC	34300	10x10x6	4	7	71.11
12126RTSC	34390	12x12x6	4	10	88.89
12186RTSC	34510	12x18x6	1	14	120.00

No Knock-outs

Catalog #	UPC 761515	Size W"xH"xD"	STD CTN	WGT	List Price, \$
16166RTSCNK	34600	16x16x6	1	14	168.89
18186RTSCNK	34660	18x18x6	3	19	168.89
24246RTSCNK	34790	24x24x6	2	30	297.78
888RTSCNK	34210	8x8x8	1	6	77.78
12128RTSCNK	34410	12x12x8	1	11	108.89
18188RTSCNK	34680	18x18x8	2	20	200.00
24248RTSCNK	34800	24x24x8	2	34	333.33
30308RTSCNK	35020	30x30x8	1	51	577.78
36368RTSCNK	35040	36x36x8	1	73	800.00
242410RTSCNK	34810	24x24x10	1	38	400.00
363610RTSCNK	35090	36x36x10	1	79	844.44
121212RTSCNK	40025	12x12x12	1	15	222.22
181812RTSCNK	34690	18x18x12	1	25	333.33
242412RTSCNK	34820	24x24x12	1	41	428.18
303012RTSCNK	35120	30x30x12	1	61	768.89
363612RTSCNK	35140	36x36x12	1	87	888.89
484812RTSCNK	35124	48x48x12	1	220	1,911.11

Prices subject to change without notice
Replaces all previous prices

Type 3R Screw Cover Enclosures Galvanized

Application

- Designed for use as wiring and junction boxes

Construction

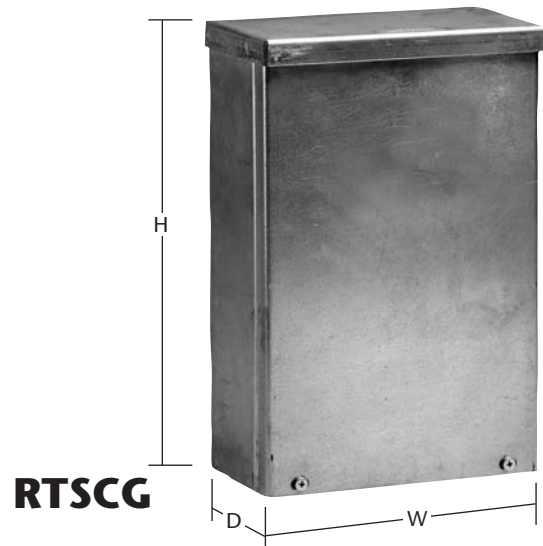
- Formed from code gauge, mill galvanized steel
- Drip shield top, seam free sides
- Slip-on cover without gasket
- Complies with UL 50 Type 3R

Specials

- Custom sizes and modifications available

Popular sizes in stock

When ordering always specify width, height and depth



No Knock-Outs

Catalog #	UPC 761515	Size W"xH"xD"	STD CTN	WGT	List Price, \$	Catalog #	UPC 761515	Size W"xH"xD"	STD CTN	WGT	List Price, \$
444RTSCG	35300	4x4x4	1	1	27.56	12128RTSCG	35332	12x12x8	1	11	108.89
664RTSCG	35303	6x6x4	1	3	32.22	18188RTSCG	35333	18x18x8	1	20	200.00
884RTSCG	35307	8x8x4	1	4	42.22	24248RTSCG	35334	24x24x8	1	34	333.33
10104RTSCG	35309	10x10x4	1	6	60.00	36368RTSCG	35338	36x36x8	1	73	800.00
12124RTSCG	35310	12x12x4	1	8	73.33	242410RTSCG	35340	24x24x10	1	38	400.00
666RTSCG	35312	6x6x6	1	3	42.22	363610RTSCG	35344	36x36x10	1	79	844.44
886RTSCG	35314	8x8x6	1	5	54.44	242412RTSCG	35346	24x24x12	1	41	428.18
10106RTSCG	35318	10x10x6	1	7	71.11	303012RTSCG	35348	30x30x12	1	61	768.89
12126RTSCG	35320	12x12x6	1	10	88.89	363612RTSCG	35350	36x36x12	1	87	888.89
12186RTSCG	34511	12x18x6	1	14	120.00	484812RTSCG	35351	48x48x12	1	220	1,911.11
16166RTSCG	35322	16x16x6	1	14	168.89						
18186RTSCG	35324	18x18x6	1	19	168.89						
24246RTSCG	35326	24x24x6	1	30	297.78						

Prices subject to change without notice
Replaces all previous prices

Type 3 Gasketed Weatherproof

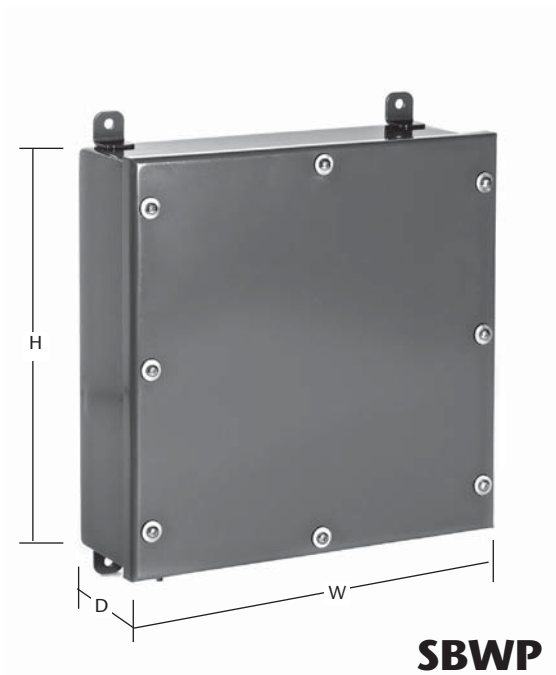
Construction

- Seam welded
- Gasketed cover with flanged sides
- Cover attached with gasketed screws
- 10-32 x 1/2" Cu ground stud
- External mounting tabs

Specials

- Mill galvanized steel
- No mounting tabs
- Custom sizes and modifications available

When ordering always specify width, height and depth



Gray Powder Coated

- Formed from code gauge, low carbon steel

Catalog #	UPC 761515	Size W"xH"xD"	STD CTN	WGT	List Price, \$
664SBWP	37550	6x6x4	1	5	82.22
884SBWP	37560	8x8x4	1	6	100.00
10104SBWP	37480	10x10x4	1	8	133.33
12124SBWP	37490	12x12x4	1	10	160.00
886SBWP	37570	8x8x6	1	7	128.00
12126SBWP	37500	12x12x6	1	11	184.00
18186SBWP	37510	18X18X6	1	20	280.00
24246SBWP	37530	24x24x6	1	39	480.00
24248SBWP	37540	24x24x8	1	42	536.00

Prices subject to change without notice
Replaces all previous prices

Type 1 Hinged Cover Cut-Out Boxes

Gray Powder Coated

Application

- Designed for use as surface mounted junction, service, switch and cut out boxes

Construction

- Small, medium and large hinged cover boxes are formed from code gauge, low carbon steel
- Mounting holes provided
- Hinged, stamped hinge standard through 18" height
- Recessed plated pull ring standard to 18"x18", large pull down hasp standard on boxes larger than 18"x18" (other options available – see hardware section on page 26)
- Complies with UL 50 cut out box

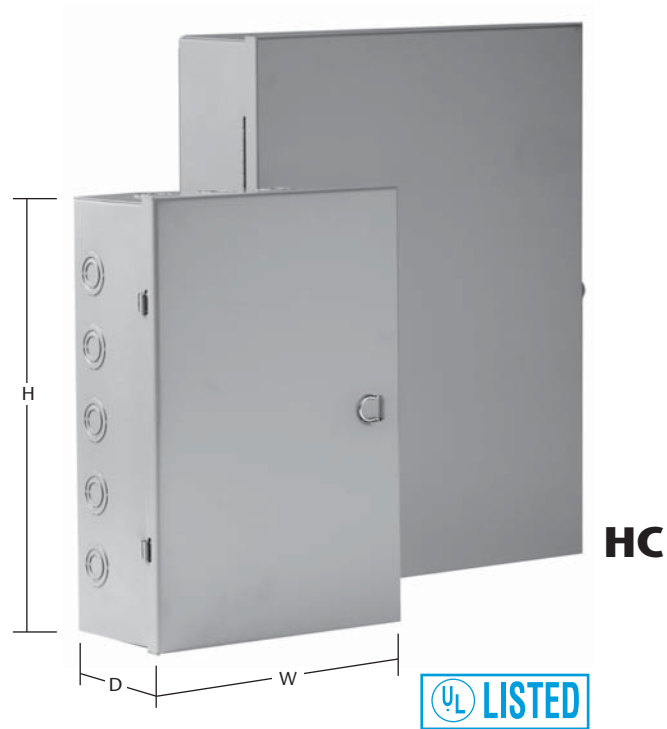
Specials

- Custom sizes and modifications available
- Optional powder coat colors available
- Mill galvanized available
- Custom silk-screening

Other sizes available – consult factory

Popular sizes in stock

When ordering always specify width, height and depth

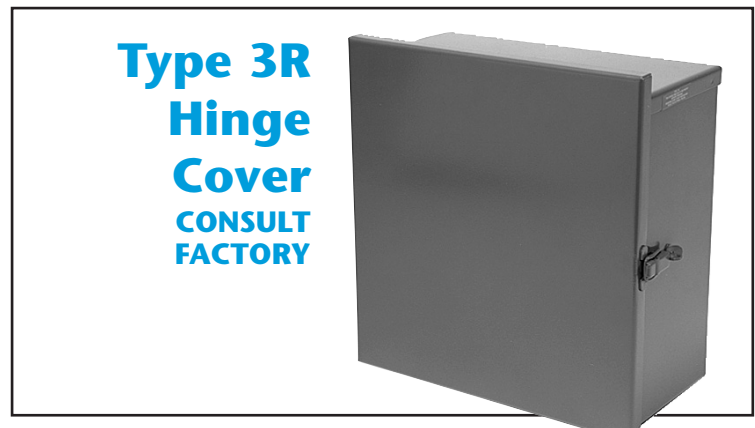


With Knock-outs

Catalog #	UPC 761515	Size W"xH"xD"	STD CTN	WGT	List Price, \$
664HC	32065	6x6x4	1	3	37.78
884HC	32145	8x8x4	1	4	40.00
10104HC	32235	10x10x4	1	6	51.11
12124HC	32300	12x12x4	1	8	57.78
12126HC	32305	12x12x6	1	10	71.11
12186HC	32350	12x18x6	1	14	108.89

No Knock-outs

12124HCNK	32302	12x12x4	1	8	57.78
18186HCNK	32400	18x18x6	1	19	142.22
24246HCNK	32420	24x24x6	1	30	257.78



Prices subject to change without notice
Replaces all previous prices

Type 1 Panel Enclosures

Gray Powder Coated



Application

- Designed to enclose electrical and electronic controls, components and instruments which do not require a dust, oil or water tight environment

Construction

- Small, medium and large panel enclosures formed from code gauge, low carbon steel
- Heavy gauge galvanized back panel included
- Mounting holes provided
- Hinged
- Coin latch standard (other options available – see hardware section on page 26)
- Complies with UL 50

Specials

- Custom sizes and modifications available
- Optional powder coat colors available
- Mill galvanized available
- Custom hardware
- Custom silk-screening

When ordering always specify width, height and depth

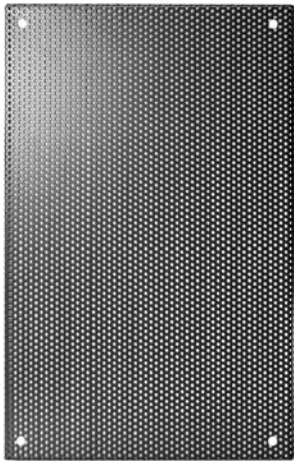


**CONSULT
FACTORY
FOR
PRICE**

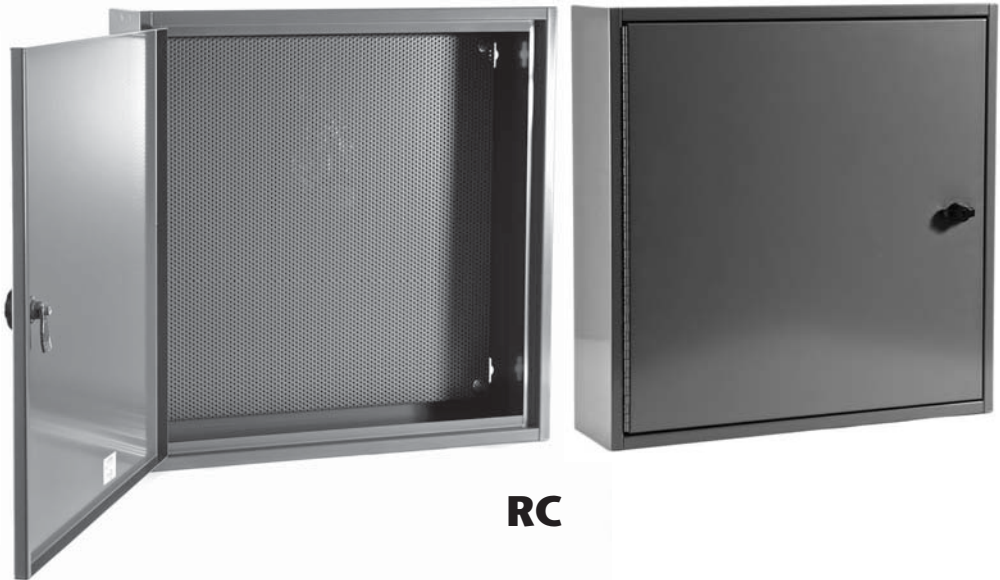
Prices subject to change without notice
Replaces all previous prices

Recessed Cover Enclosures

Gray Powder Coated with Perforated Back Panel



**Perforated
Back Panel**



RC



Catalog #	UPC 761515	Size	STD CTN	WGT	List Price, \$
		W"xH"xD"			
13186RC**	39100	13x18x6	1	20	256.89
181810RC	39110	18x18x10	1	30	416.18
242410RC	39120	24x24x10	1	50	436.71
243610RC	39130	24x36x10	1	65	667.91
303610RC	39140	30x36x10	1	80	760.40
304810RC	39150	30x48x10	1	100	965.91

**Enclosure does not have recessed cover

Application

- Designed to enclose electrical and electronic controls, components and instruments which do not require a dust, oil or water tight environment
- Perforated back panel facilitates many applications and configurations

Specifications

- Cold rolled steel
- UL listed
- Continuous hinge
- Perforated back panel, 1/8" holes, 1/4" staggered centers
- Keyed cam action quad lock

Specials

- Custom sizes and modifications available
- Optional powder coat colors available
- Custom silk-screening

Prices subject to change without notice
Replaces all previous prices

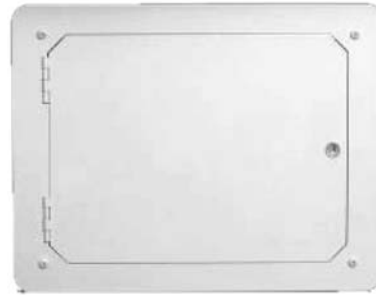
SOHO Enclosures

Small Office Home Office

Beige Powder Coated



SH-1B



SH-2C



Catalog #	UPC 761515	Size W"xH"xD"	STD CTN	WGT	List Price, \$
SH-1B	17801	14.5 x 10.5 x 3.25	1	4	28.44
SH-1C	17802	16.25 x 12.62	1	3	66.80
SH-2C Security version	17803	16.25 x 12.62	1	3	77.07

Application

- SOHO enclosures are designed to allow flexible installations in multi-family, office, dormitory, military barracks, and any other structure where choice of internal voice, data, and video components is important
- **SH-1C** is a coin latch standard cover
- **SH-2C** is a security version, keylock cover and tamper proof screws

Construction

- U.L. listed, UL 1863 communications circuits & accessories
- Enclosure 18 ga. galvanized
- Cover 16 ga. CRS, powdercoated
- Full plywood back
- Supplied with two 1³/₈" plastic bushings
- **SH-1C** – Coin latch standard for easy access, powder coat beige
- **SH-2C** – Security version with keylock and tamper proof screws (pictured), powder coat beige

Features

- Full plywood back allows flexible configuration of components to meet individual customer needs.
 - easy to retro fit for new technology and upgrades
- Mount horizontally or vertically – door can swing left or right
- Enclosures may be ganged together to accommodate special needs.

Note: This application requires special cover, consult factory

Prices subject to change without notice
Replaces all previous prices

Type 3R Wiring Trough

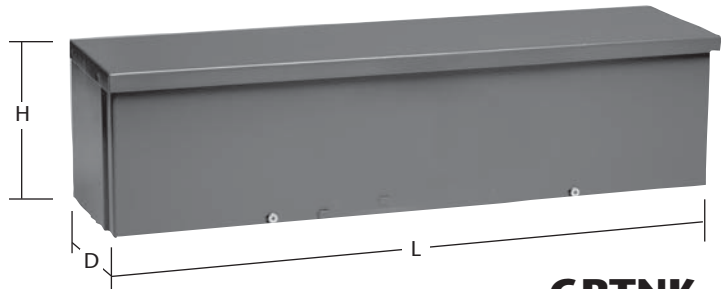
Gray Powder Coated

Application

- Designed to protect wiring indoors from dripping water or outdoors from rain, sleet and snow.

Construction

- Code gauge, low carbon steel
- Drip shield top, seam free sides
- Accumulation free bottom
- Slip-on cover without gasket
- Embossed mounting holes provided
- Complies with UL 870 Type 3R



GRTNK



Specials

- Custom sizes and modifications available
- Optional powder coat colors available

Popular sizes in stock

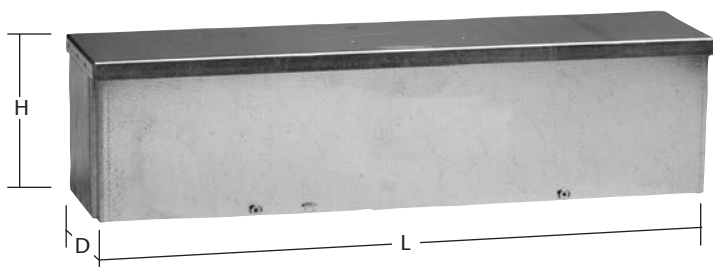
When ordering always specify depth, height and length

No Knock-outs

Catalog #	UPC 761515	Size D"xH"xL"	STD CTN	WGT	List Price, \$	Catalog #	UPC 761515	Size D"xH"xL"	STD CTN	WGT	List Price, \$
4412GRTNK	14060	4x4x12	1	4	60.00	101024GRTNK	14424	10x10x24	1	20	266.67
4424GRTNK	14070	4x4x24	1	7	88.89	101036GRTNK	14426	10x10x36	1	28	355.56
4436GRTNK	14077	4x4x36	2	10	115.56	101048GRTNK	14433	10x10x48	1	37	444.44
4448GRTNK	14084	4x4x48	2	14	142.22	101060GRTNK	14440	10x10x60	1	45	533.33
44120GRTNK	14100	4x4x120	2	40	355.56	101072GRTNK	14447	10x10x72	1	60	622.22
6612GRTNK	14181	6x6x12	2	6	84.44	101096GRTNK	14449	10x10x96	1	85	800.00
6618GRTNK	14183	6x6x18	1	8	111.11	1010120GRTNK	14450	10x10x120	1	100	1,066.67
6624GRTNK	14190	6x6x24	2	11	120.00	121224GRTNK	14473	12x12x24	1	25	311.11
6636GRTNK	14197	6x6x36	2	16	160.00	121236GRTNK	14475	12x12x36	1	35	488.89
6648GRTNK	14204	6x6x48	2	21	200.00	121248GRTNK	14482	12x12x48	1	45	577.78
6660GRTNK	14211	6x6x60	2	26	240.00	121260GRTNK	14489	12x12x60	1	60	777.78
6672GRTNK	14218	6x6x72	2	32	288.89	121272GRTNK	14496	12x12x72	1	70	844.44
6696GRTNK	14220	6x6x96	2	45	488.89	121296GRTNK	14498	12x12x96	1	85	1,044.44
66120GRTNK	14222	6x6x120	2	53	577.78	1212120GRTNK	14499	12x12x120	1	110	1,222.22
8812GRTNK	14295	8x8x12	1	9	115.56	1212144GRTNK	14500	12x12x144	1	153	1,622.22
8824GRTNK	14309	8x8x24	1	15	177.78						
8836GRTNK	14314	8x8x36	1	22	222.22						
8848GRTNK	14321	8x8x48	1	28	311.11						
8860GRTNK	14328	8x8x60	1	35	377.78						
8872GRTNK	14335	8x8x72	1	42	435.56						
8896GRTNK	14340	8x8x96	1	50	622.22						
88120GRTNK	14350	8x8x120	1	60	822.22						

Prices subject to change without notice
Replaces all previous prices

Type 3R Wiring Trough Galvanized



GRTG

Application

- Designed to protect wiring indoors from dripping water or outdoors from rain, sleet and snow.

Construction

- Code gauge, mill galvanized steel
- Drip shield top, seam free sides
- Accumulation free bottom
- Slip-on cover without gasket
- Embossed mounting holes provided
- Complies with UL 870 Type 3R

Specials

- Custom sizes and modifications available

Popular sizes in stock

When ordering always specify depth, height and length

No Knock-outs

Catalog #	UPC 761515	Size D"xH"xL"	STD CTN	WGT	List Price, \$
4412GRTG	15500	4x4x12	1	4	60.00
4424GRTG	15502	4x4x24	1	7	88.89
4436GRTG	15504	4x4x36	1	10	115.56
4448GRTG	15506	4x4x48	1	14	142.22
6612GRTG	15510	6x6x12	1	6	84.44
6624GRTG	15512	6x6x24	1	11	115.56
6636GRTG	15514	6x6x36	1	16	164.44
6648GRTG	15516	6x6x48	1	21	200.00
6660GRTG	15518	6x6x60	1	26	244.44
8824GRTG	15520	8x8x24	1	15	177.78
8836GRTG	15522	8x8x36	1	22	222.22
8848GRTG	15524	8x8x48	1	28	311.11
8860GRTG	15526	8x8x60	1	35	377.78
8872GRTG	14336	8x8x72	1	42	435.56
101024GRTG	14425	10x10x24	1	20	266.67
101036GRTG	14427	10x10x36	1	28	355.56
101048GRTG	14434	10x10x48	1	37	444.44
101060GRTG	14441	10x10x60	1	45	533.33
101072GRTG	14448	10x10x72	1	60	622.22
121224GRTG	14474	12x12x24	1	25	311.11
121236GRTG	14476	12x12x36	1	35	488.89
121248GRTG	15532	12x12x48	1	45	577.78
121260GRTG	15534	12x12x60	1	60	777.78
121272GRTG	15536	12x12x72	1	70	844.44
121296GRTG	15538	12x12x96	1	85	1,044.44
1212120GRTG	15540	12x12x120	1	110	1,222.22
1212144GRTG	15542	12x12x144	1	153	1,622.22

Prices subject to change without notice
Replaces all previous prices

Type 1 Lay-in Wireway Removable Hinge Cover Gray Powder Coated

Application

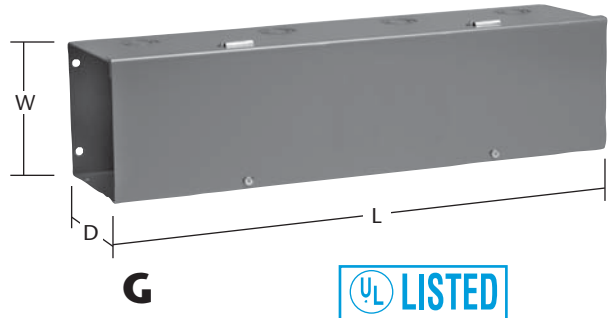
- Designed to protect electrical wiring where dust, dirt, oil and water are not serious problems. All sections and fittings are fully open on one side so wires and cables can be laid in along an entire run. No pulling through of wires or cables is required.

Construction

- Code gauge, low carbon steel
- Complies with UL 870

Specials

- Custom sizes and modifications available
- Optional powder coat colors available
- Dividers available



Popular sizes in stock

When ordering always specify depth, width and length

With Knock-outs

Catalog #	UPC 761515	Size D"xW"xL"	STD CTN	WGT	List Price, \$
4412G	10080	4x4x12	1	3	23.33
4424G	10100	4x4x24	1	6	40.00
4436G	10110	4x4x36	2	9	53.33
4448G	10120	4x4x48	2	12	68.89
4460G	10130	4x4x60	2	15	80.00
6612G	10240	6x6x12	1	5	45.56
6624G	10260	6x6x24	1	10	60.00
6636G	10270	6x6x36	2	15	80.00
6648G	10280	6x6x48	2	20	106.67
6660G	10290	6x6x60	2	25	120.00

No Knock-outs

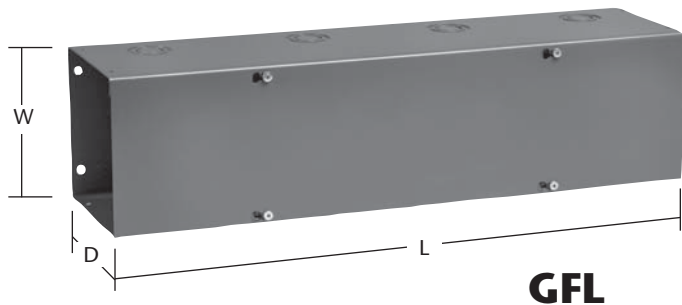
4412GNK	10082	4x4x12	1	3	23.33
4424GNK	10102	4x4x24	1	6	40.00
4436GNK	10112	4x4x36	2	9	53.33
4448GNK	10122	4x4x48	2	12	68.89
4460GNK	10132	4x4x60	2	15	80.00
4472GNK	10140	4x4x72	2	18	102.22
4496GNK	10150	4x4x96	1	24	164.44
44120GNK	10160	4x4x120	2	30	168.89

Catalog #	UPC 761515	Size D"xW"xL"	STD CTN	WGT	List Price, \$
6612GNK	10242	6x6x12	1	5	45.56
6624GNK	10262	6x6x24	1	10	60.00
6636GNK	10272	6x6x36	2	15	80.00
6648GNK	10282	6x6x48	2	20	106.67
6660GNK	10292	6x6x60	2	25	120.00
6672GNK	10300	6x6x72	2	30	164.44
6696GNK	10310	6x6x96	2	40	244.44
66120GNK	10312	6x6x120	2	50	275.56
8812GNK	10400	8x8x12	1	6	75.56
8824GNK	10420	8x8x24	1	13	111.11
8836GNK	10430	8x8x36	1	19	168.89
8848GNK	10440	8x8x48	1	26	204.44
8860GNK	10450	8x8x60	1	33	235.56
8872GNK	10460	8x8x72	1	39	306.67
8896GNK	10470	8x8x96	1	52	444.44
88120GNK	10480	8x8x120	1	65	511.11
101012GNK	10550	10x10x12	1	9	102.22
101024GNK	10560	10x10x24	1	17	168.89
101036GNK	10570	10x10x36	1	25	244.44
101048GNK	10580	10x10x48	1	34	311.11
101060GNK	10590	10x10x60	1	42	355.56
101072GNK	10600	10x10x72	1	51	444.44
101096GNK	10610	10x10x96	1	68	577.78
1010120GNK	10620	10x10x120	1	85	711.11
121212GNK	10690	12x12x12	1	10	120.00
121224GNK	10700	12x12x24	1	20	217.78
121236GNK	10710	12x12x36	1	30	311.11
121248GNK	10720	12x12x48	1	40	377.78
121260GNK	10730	12x12x60	1	50	435.56
121272GNK	10740	12x12x72	1	60	546.67
121296GNK	10750	12x12x96	1	80	666.67
1212120GNK	10760	12x12x120	1	100	888.89

Prices subject to change without notice
Replaces all previous prices

Type 1 Lay-in Wireway Flat Lid

With Knock-outs Gray Powder Coated



Application

- Designed to protect electrical wiring where dust, dirt, oil and water are not serious problems. All sections and fittings are fully open on one side so wires and cables can be laid in along an entire run. No pulling through of wires or cables is required.

Construction

- Code gauge, low carbon steel
- Screw cover flat lid with keyhole slots
- Complies with UL 870

Specials

- Custom sizes and modifications available
- Optional powder coat colors available
- Dividers available

Popular sizes in stock

When ordering always specify depth, width and length

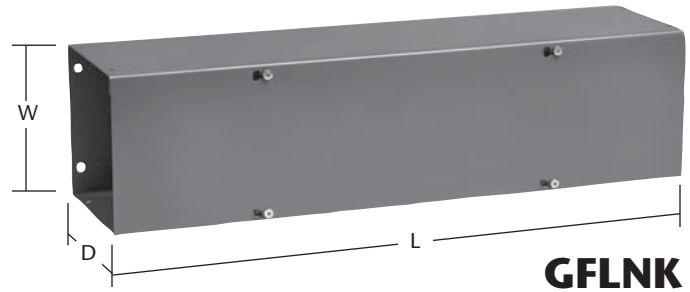
With Knock-outs

Catalog #	UPC 761515	Size D"xW"xL"	STD CTN	WGT	List Price, \$
4412GFL	16117	4x4x12	1	3	23.33
4424GFL	16119	4x4x24	1	6	40.00
4436GFL	16121	4x4x36	2	9	53.33
4448GFL	16123	4x4x48	2	12	68.89
4460GFL	16125	4x4x60	2	15	80.00
6612GFL	16133	6x6x12	1	5	45.56
6624GFL	16135	6x6x24	1	10	60.00
6636GFL	16137	6x6x36	2	15	80.00
6648GFL	16139	6x6x48	2	20	106.67
6660GFL	16141	6x6x60	2	25	120.00

Prices subject to change without notice
Replaces all previous prices

Type 1 Lay-in Wireway Flat Lid

No Knock-outs Gray Powder Coated



GFLNK

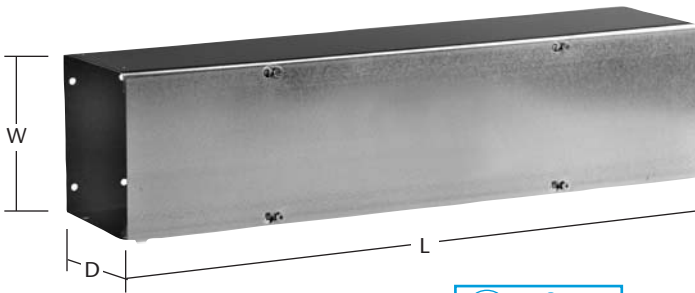
No Knock-outs

Catalog #	UPC 761515	Size D"xW"xL"	STD CTN	WGT	List Price, \$
4412GFLNK	16116	4x4x12	1	3	23.33
4424GFLNK	16118	4x4x24	1	6	40.00
4436GFLNK	16120	4x4x36	2	9	53.33
4448GFLNK	16122	4x4x48	2	12	68.89
4460GFLNK	16124	4x4x60	2	15	80.00
4472GFLNK	16126	4x4x72	2	18	102.22
4496GFLNK	16128	4x4x96	2	24	164.44
44120GFLNK	16130	4x4x120	2	30	168.89
6612GFLNK	16132	6x6x12	1	5	45.56
6624GFLNK	16134	6x6x24	1	10	60.00
6636GFLNK	16136	6x6x36	2	15	80.00
6648GFLNK	16138	6x6x48	2	20	106.67
6660GFLNK	16140	6x6x60	2	25	120.00
6672GFLNK	16142	6x6x72	2	30	164.44
6696GFLNK	16144	6x6x96	2	40	244.44
66120GFLNK	16146	6x6x120	2	50	275.56
8812GFLNK	16150	8x8x12	1	6	75.56
8824GFLNK	16152	8x8x24	1	13	111.11
8836GFLNK	16154	8x8x36	1	19	168.89
8848GFLNK	16156	8x8x48	1	26	204.44
8860GFLNK	16158	8x8x60	1	33	235.56
8872GFLNK	16160	8x8x72	1	39	306.67
8896GFLNK	16162	8x8x96	1	52	444.44
88120GFLNK	16164	8x8x120	1	65	511.11
101012GFLNK	16165	10x10x12	1	9	102.22
101024GFLNK	16166	10x10x24	1	17	168.89
101036GFLNK	16168	10x10x36	1	25	244.44
101048GFLNK	16170	10x10x48	1	34	311.11
101060GFLNK	16172	10x10x60	1	42	355.56
101072GFLNK	16174	10x10x72	1	51	444.44
101096GFLNK	16176	10x10x96	1	68	577.78
1010120GFLNK	16178	10x10x120	1	85	711.11
121212GFLNK	16179	12x12x12	1	10	120.00
121224GFLNK	16180	12x12x24	1	20	217.78
121236GFLNK	16182	12x12x36	1	30	311.11
121248GFLNK	16184	12x12x48	1	40	377.78
121260GFLNK	16186	12x12x60	1	50	435.56
121272GFLNK	16188	12x12x72	1	60	546.67
121296GFLNK	16190	12x12x96	1	80	666.67
1212120GFLNK	16192	12x12x120	1	100	888.89

Prices subject to change without notice
Replaces all previous prices

Type 1 Lay-in Wireway Flat Lid

No Knock-outs Galvanized



GGFL



No Knock-outs

Catalog #	UPC 761515	Size D"xW"xL"	STD CTN	WGT	List Price, \$
4412GGFL	12010	4x4x12	1	3	23.33
4424GGFL	12012	4x4x24	1	6	40.00
4436GGFL	12014	4x4x36	1	9	53.33
4448GGFL	12016	4x4x48	1	12	68.89
4460GGFL	12018	4x4x60	1	15	80.00
4472GGFL	12020	4x4x72	1	18	102.22
4496GGFL	12019	4x4x96	1	24	164.44
44120GGFL	12021	4x4x120	1	30	168.89
6612GGFL	12030	6x6x12	1	5	45.56
6624GGFL	12032	6x6x24	1	10	60.00
6636GGFL	12034	6x6x36	1	15	80.00
6648GGFL	12036	6x6x48	1	20	106.67
6660GGFL	12038	6x6x60	1	25	120.00
6672GGFL	12040	6x6x72	1	30	164.44
6696GGFL	12041	6x6x96	1	40	244.44
66120GGFL	12042	6x6x120	1	50	275.56
8812GGFL	12050	8x8x12	1	6	75.56
8824GGFL	12052	8x8x24	1	13	111.11
8836GGFL	12054	8x8x36	1	19	168.89
8848GGFL	12056	8x8x48	1	26	204.44
8860GGFL	12058	8x8x60	1	33	235.56
8872GGFL	12060	8x8x72	1	39	306.67
8896GGFL	10261	8x8x96	1	52	444.44
88120GGFL	12062	8x8x120	1	65	511.11
101012GGFL	12068	10x10x12	1	9	102.22
101024GGFL	12070	10x10x24	1	17	168.89
101036GGFL	12072	10x10x36	1	25	244.44
101048GGFL	12074	10x10x48	1	34	311.11
101060GGFL	12076	10x10x60	1	42	355.56
101072GGFL	12078	10x10x72	1	51	444.44
101096GGFL	12077	10x10x96	1	68	577.78
1010120GGFL	12079	10x10x120	1	85	711.11
121212GGFL	12080	12x12x12	1	10	120.00
121224GGFL	12082	12x12x24	1	20	217.78
121236GGFL	12084	12x12x36	1	30	311.11
121248GGFL	12086	12x12x48	1	40	377.78
121260GGFL	12088	12x12x60	1	50	435.56
121272GGFL	12090	12x12x72	1	60	546.67
121296GGFL	12092	12x12x96	1	80	666.67
1212120GGFL	12091	12x12x120	1	100	844.44

Prices subject to change without notice
Replaces all previous prices

Application

- Designed to protect electrical wiring where dust, dirt, oil and water are not serious problems. All sections and fittings are fully open on one side so wires and cables can be laid in along an entire run. No pulling through of wires or cables is required.

Construction

- Code gauge, mill galvanized steel
- Screw cover flat lid with keyhole slots
- Complies with UL 870

Specials

- Custom sizes and modifications available
- Dividers

Popular sizes in stock
When ordering always specify depth, width and length

Type 1 Lay-in Wireway Fittings

Catalog #	UPC 761515	Size D"xW"	STD CTN	WGT	List Price, \$
44C	10901	4x4	20	0.4	7.11
66C	10903	6x6	20	0.5	11.11
88C	10905	8x8	10	1	13.33
1010C	10907	10x10	2	1.25	24.44
1212C	10909	12x12	2	1	28.89



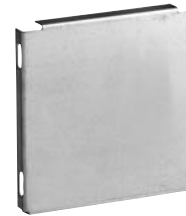
CONNECTOR
(Available Standard Galvanized Only)

44E	10810	4x4	20	0.5	7.11
66E	10830	6x6	20	0.75	11.11
88E	10850	8x8	10	2	13.33
1010E	10870	10x10	2	2	24.44
1212E	10890	12x12	2	4	28.89



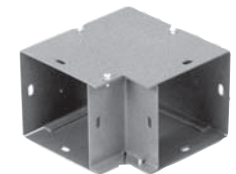
**GRAY POWDER COATED
END CAP**

44EG	10811	4x4	20	0.5	7.11
66EG	10831	6x6	20	0.75	11.11
88EG	10851	8x8	10	2	13.33
1010EG	10871	10x10	2	2	24.44
1212EG	10891	12x12	2	4	28.89



**GALVANIZED
END CAP**

44L	11002	4x4	1	3	54.44
66L	11006	6x6	1	5	68.89
88L	11010	8x8	1	8	102.22
1010L	11012	10x10	1	15	151.11
1212L	11014	12x12	1	20	200.00



**GRAY POWDER COATED
90° ELBOW**

44LG	11003	4x4	1	3	54.44
66LG	11007	6x6	1	5	68.89
88LG	11011	8x8	1	8	102.22
1010LG	11013	10x10	1	15	151.11
1212LG	11015	12x12	1	20	200.00



**GALVANIZED
90°
ELBOW**

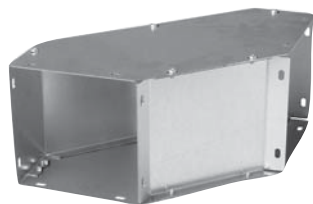
44SL	11603	4x4	1	3	100.90
66SL	11607	6x6	1	6	115.36
88SL	11611	8x8	1	9	204.16
1010SL	11613	10x10	1	12	286.72
1212SL	11615	12x12	1	16	386.56



**GRAY POWDER
COATED
90° SWEEP
ELBOW**

Prices subject to change without notice
Replaces all previous prices

Type 1 Lay-in Wireway Fittings



**GALVANIZED
90° SWEEP
ELBOW**

Catalog #	UPC 761515	Size D"xW"	STD CTN	WGT	List Price, \$
44SLG	18002	4x4	1	3	100.90
66SLG	18003	6x6	1	6	115.36
88SLG	18004	8x8	1	9	204.16
1010SLG	18005	10x10	1	12	286.72
1212SLG	18006	12x12	1	16	386.56

**GRAY POWDER COATED
INSIDE OUTSIDE 90° ELBOW**



44INXL	11521	4x4	1	3	74.44
66INXL	11523	6x6	1	5	84.88
88INXL	11525	8x8	1	8	102.22
1010INXL	11527	10x10	1	15	151.11
1212INXL	11529	12x12	1	20	200.00

**GALVANIZED
INSIDE OUTSIDE 90° ELBOW**



44INXLG	11531	4x4	1	3	74.44
66INXLG	11533	6x6	1	5	84.88
88INXLG	11535	8x8	1	8	102.22
1010INXLG	11537	10x10	1	15	151.11
1212INXLG	11539	12x12	1	20	200.00



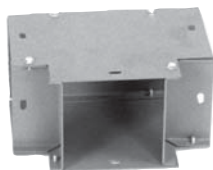
**GRAY POWDER
COATED
45° ELBOW**

44L45	11018	4x4	1	2	53.33
66L45	11020	6x6	1	3	66.67
88L45	11022	8x8	1	6	102.22
1010L45	11024	10x10	1	8	151.11
1212L45	11026	12x12	1	10	200.00



**GALVANIZED
45° ELBOW**

44L45G	11019	4x4	1	2	53.33
66L45G	11021	6x6	1	3	66.67
88L45G	11025	8x8	1	6	102.22
1010L45G	11028	10x10	1	8	151.11
1212L45G	11029	12x12	1	10	200.00



**GRAY POWDER COATED
TEE**

44T	10972	4x4	1	3	62.22
66T	10976	6x6	1	5	86.67
88T	10980	8x8	1	9	133.33
1010T	10984	10x10	1	15	222.22
1212T	10988	12x12	1	20	284.44

Prices subject to change without notice
Replaces all previous prices

Type 1 Lay-in Wireway Fittings

Catalog #	UPC 761515	Size D"xW"	STD CTN	WGT	List Price, \$
44TG	10973	4x4	1	3	62.22
66TG	10974	6x6	1	5	86.67
88TG	10975	8x8	1	9	133.33
1010TG	10977	10x10	1	15	222.22
1212TG	10978	12x12	1	20	284.44



GALVANIZED TEE

44ST	11501	4x4	1	4	100.90
66ST	11503	6x6	1	6	115.36
88ST	11505	8x8	1	10	204.16
1010ST	11507	10x10	1	16	286.72
1212ST	11509	12x12	1	21	386.56



GRAY POWDER COATED SWEEP TEE

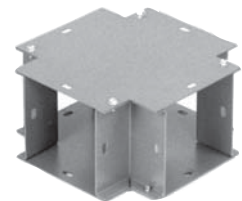
44STG	11511	4x4	1	4	100.90
66STG	11513	6x6	1	6	115.36
88STG	11515	8x8	1	10	204.16
1010STG	11517	10x10	1	16	286.72
1212STG	11519	12x12	1	21	386.56



GALVANIZED SWEEP TEE

44X	10032	4x4	1	3	71.11
66X	11034	6x6	1	6	100.00
88X	11036	8x8	1	8	142.22
1010X	11038	10x10	1	15	222.22
1212X	11040	12x12	1	17	266.67

GRAY POWDER COATED CROSS



44XG	11033	4x4	1	3	71.11
66XG	11035	6x6	1	6	100.00
88XG	11037	8x8	1	8	142.22
1010XG	11039	10x10	1	15	222.22
1212XG	11041	12x12	1	17	266.67



GALVANIZED CROSS

64RG	38013	6 to 4	1	1	68.89
84RG	38015	8 to 4	1	2	77.78
86RG	38019	8 to 6	1	2	84.44
106RG	38021	10 to 6	1	3	93.33
108RG	38023	10 to 8	1	3	102.22
128RG	38025	12 to 8	1	3	106.67
1210RG	38027	12 to 10	1	3	133.33

GALVANIZED REDUCER



64R	10989	6 to 4	1	1	68.89
84R	10990	8 to 4	1	2	77.78
104R	10992	10 to 4	1	3	79.78
86R	10994	8 to 6	1	2	84.44
106R	10996	10 to 6	1	3	93.33
108R	10997	10 to 8	1	3	102.22
128R	10998	12 to 8	1	3	106.67
1210R	10999	12 to 10	1	3	133.33

GRAY POWDER COATED REDUCER



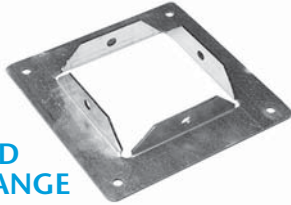
Prices subject to change without notice
Replaces all previous prices

Type 1 Lay-in Wireway Fittings



COMBINATION HANGER (Available Standard Galvanized Only)

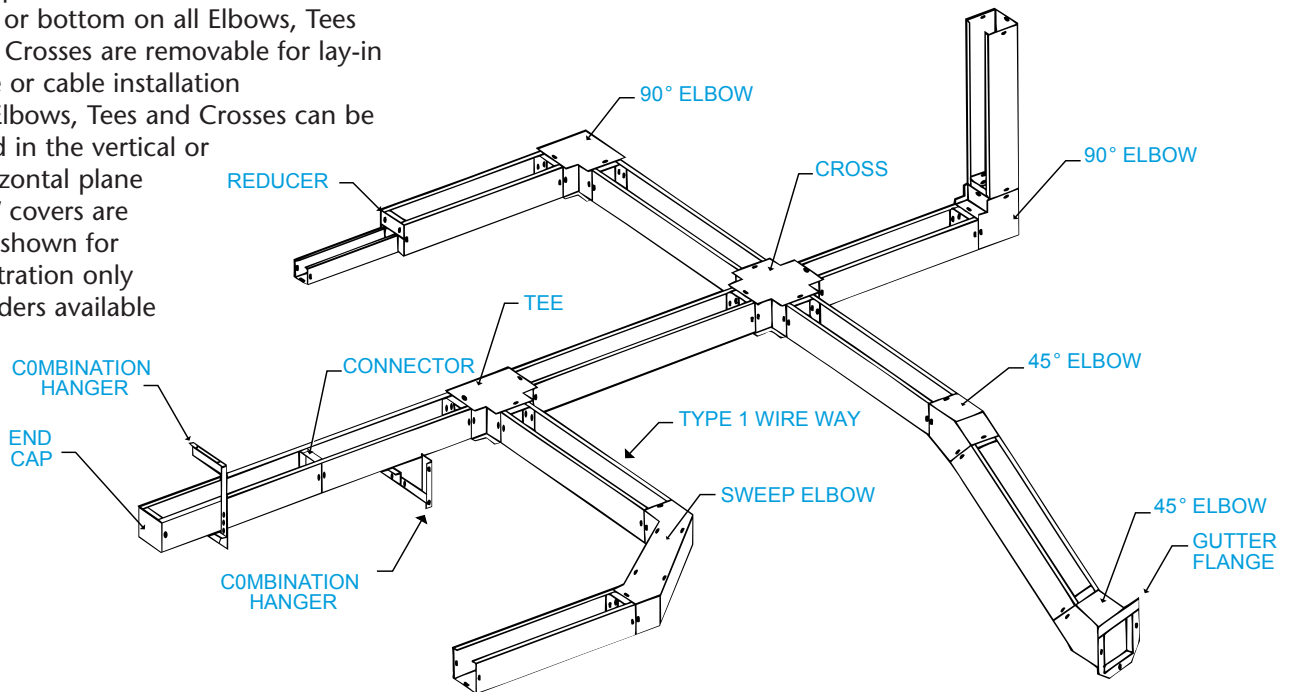
Catalog #	UPC 761515	Size D"xW"	STD CTN	WGT	List Price, \$
24HG	47010	2x4	1	4.5	22.00
68HG	47020	6x8	1	8	30.89
1012HG	47025	10x12	1	17	77.78
24HG	Accommodates	2.5x2.5 & 4x4			
68HG	Accommodates	6x6 & 8x8			
1012HG	Accommodates	10x10 & 12x12			



GALVANIZED GUTTER FLANGE

44GF	17942	4x4	1	0.25	22.22
66GF	17946	6x6	1	1	31.11
88GF	17950	8x8	1	1	44.44
1010GF	17954	10x10	1	1	66.67
1212GF	17958	12x12	1	1	88.89

- This drawing is for illustration purposes only and does not depict any particular installation method
- Top or bottom on all Elbows, Tees and Crosses are removable for lay-in wire or cable installation
- All Elbows, Tees and Crosses can be used in the vertical or horizontal plane
- WW covers are not shown for illustration only
- Dividers available



Prices subject to change without notice
Replaces all previous prices

Type 1 Telephone Cabinets

Flush and Surface Mount

Gray Powder Coated

Application

- Designed to enclose communication wiring, signal systems, junction or pull box and switch enclosure

Construction

- Low carbon steel
- No knockouts
- Key lock with push to close latch
- Hinged flush cover (TCF) or hinged surface mount (TCS)
- Field installable stud kit included for wood back panel
- Back panels sold separately
- Complies with UL 50

Specials

- Custom sizes and modifications available
- Plywood or metal back panels available
- Optional powder coat colors available
- Mill galvanized available



TCS

When ordering always specify width, height and depth

Catalog #	UPC 761515	Size W"xH"xD"	STD CTN	WGT	List Price, \$	Catalog #	UPC 761515	Size W"xH"xD"	STD CTN	WGT	List Price, \$
884TCF	20046	8x8x4	1	5	88.89	10106TCF	20123	10x10x6	1	10	177.78
884TCS	20044	8x8x4	1	5	88.89	10106TCS	20125	10x10x6	1	10	177.78
10104TCF	20050	10x10x4	1	8	160.00	12126TCF	20127	12x12x6	1	12	200.00
10104TCS	20060	10x10x4	1	8	160.00	12126TCS	20128	12x12x6	1	12	200.00
12124TCF	20126	12x12x4	1	10	168.89	12186TCF	20167	12x18x6	1	16	266.67
12124TCS	20124	12x12x4	1	10	168.89	12186TCS	20168	12x18x6	1	16	266.67
12184TCF	20166	12x18x4	1	15	231.11	12246TCF	20177	12x24x6	1	20	333.33
12184TCS	20164	12x18x4	1	15	231.11	12246TCS	20178	12x24x6	1	20	333.33
12244TCF	20176	12x24x4	1	18	288.89	18186TCF	20297	18x18x6	1	22	333.33
12244TCS	20174	12x24x4	1	18	288.89	18186TCS	20298	18x18x6	1	22	333.33
18184TCF	20296	18x18x4	1	18	311.11	18246TCF	20322	18x24x6	1	30	444.44
18184TCS	20294	18x18x4	1	18	311.11	18246TCS	20323	18x24x6	1	36	444.44
18244TCF	20321	18x24x4	1	25	400.00	18366TCF	20350	18x36x6	1	45	475.56
18244TCS	20319	18x24x4	1	25	400.00	18366TCS	20360	18x36x6	1	45	475.56
24244TCF	20366	24x24x4	1	30	444.44	24246TCF	20367	24x24x6	1	37	488.89
24244TCS	20364	24x24x4	1	30	444.44	24246TCS	20368	24x24x6	1	37	488.89
24304TCF	20381	24x30x4	1	36	555.56	24306TCF	20382	24x30x6	1	45	577.78
24304TCS	20379	24x30x4	1	36	555.56	24306TCS	20383	24x30x6	1	45	577.78
24364TCF	20401	24x36x4	1	42	666.67	24366TCF	20402	24x36x6	1	52	666.67
24364TCS	20399	24x36x4	1	42	666.67	24366TCS	20403	24x36x6	1	52	666.67

Prices subject to change without notice
Replaces all previous prices

Type 1 and Type 3R Current Transformer Cabinets Single Door Gray Powder Coated

SDCT



Pictured with
Drip Shield



Application

- Designed for use in a wide variety of applications including transformer housing, junction and service enclosures

Construction

- Low carbon steel
- Hinged doors
- Various latching devices (see page 26)
- Nema 1 or 3R (specify drip shield)

Specials

- Custom sizes and modifications available
- Lift off hinges
- Various latching systems
- Optional powder coat colors available
- Mill galvanized available – add G to part number
- Floor stand kit

**CONSULT
FACTORY
FOR
PRICE**

Prices subject to change without notice
Replaces all previous prices

Many styles and options are available...

- Back panels
 - Solid metal
 - Perforated metal
 - Plywood
- Custom Knockouts
- Custom Cut Outs
- Louvers, 3" or 4"
- Floor Stand Kits
- Various Closures
- Custom Colors
- Custom Silk-Screening

Type 1 and Type 3R Current Transformer Cabinets Double Door Gray Powder Coated

Application

- Designed for use in a wide variety of applications including transformer housing, junction and service enclosures

Construction

- Low carbon steel
- Hinged doors
- Various latching devices (see page 26)
- Nema 1 or 3R (specify drip shield)
- DDCT standard without drip center post and have a shi lap joint where doors meet ensuring gap free, dust and water resistant face
- DDCT standard with 3 point closure employing slide bolts on top and bottom of second door

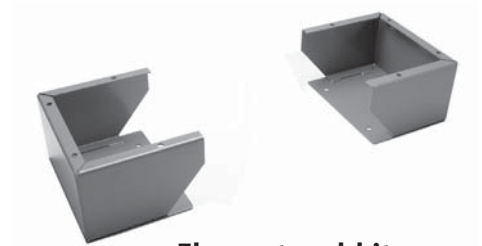
Specials

- Custom sizes and modifications available
- Lift off hinges
- Various latching systems
- Optional powder coat colors available
- Mill galvanized available – add G to part number
- Floor stand kit

DDCT



Pictured with Drip Shield



Floor stand kit

...in single door or double door

Nema 3R



Wing nut



Hasp and staple

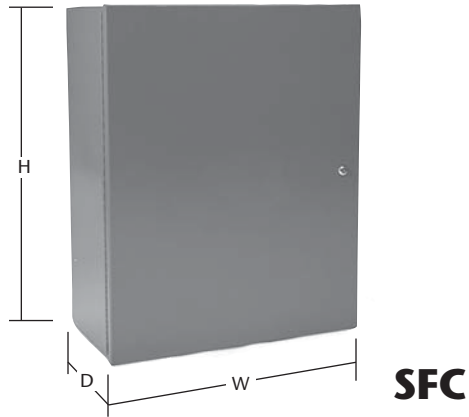
Wing nut



Locking handle

Spare Fuse Cabinets

Gray Powder Coated



Application

- Provides secure shelved environment for the storage of spare fuses and other items

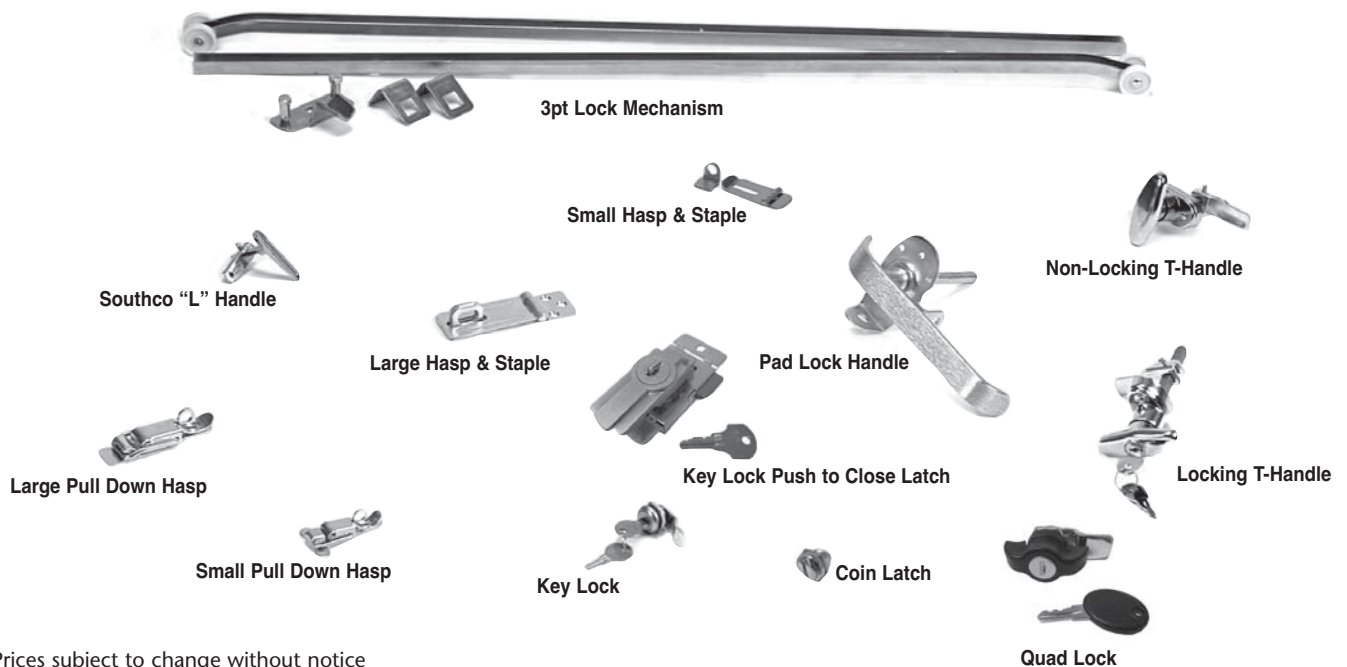
Construction

- Low carbon steel
- Continuous hinge
- Key hole style holes on 16" centers for easy wall stud mounting
- Convenient inventory card pocket
- Two reinforced shelves
- Individually packaged for quick UPS delivery

Specials

- Custom sizes and modifications available
- Optional powder coat colors available
- Mill galvanized available

Many hardware options available – consult factory



Prices subject to change without notice
Replaces all previous prices

General Conditions of Sale

UNITY ENCLOSURES are sold through wholesale distributors nationwide.

TERMS: Two percent (2%) 10th prox net 30 days. All orders shipped by the 25th of the month are payable on the 10th of the following month.

MINIMUM BILLING: One hundred dollars (\$100.00) Net plus transportation charge.

ERRORS: All clerical errors subject to correction.

FREIGHT: Liberal freight terms, consult factory. **There will be a \$5.00 handling charge for all prepay and charge shipments.**

LOSS OR DAMAGE IN TRANSIT: Our responsibility ceases with delivery to the carrier, at which time title passes to the purchaser and all claims for loss, damage or delay must be made to the carrier by the purchaser.

SHIPPING SCHEDULES: Published lead times and estimated shipping dates are only approximate based on the normal uninterrupted flow of production activity and are in no way guaranteed.

RETURN POLICY: No goods may be returned without first obtaining our express written permission. Goods that arrive without permission will be refused and returned to the shipper. Only standard catalog items will be considered for return. Items must be of current design and in resalable condition, which were shipped not more than one year prior to date of return request. Return shipment must be on a prepaid freight basis. Only a credit memo can be issued for return goods and this memo will be subject to a deduction for outgoing freight similar to that of the return cost, a 20% restocking charge and the cost of any rework required.

CANCELLATION: An order once placed with us and accepted by us can be cancelled only with our express written consent and upon terms that will indemnify the company. Orders for SPECIALS, or standard goods in quantities larger than normal inventory, may NOT be cancelled once order is placed in production.

SPECIALS: Unity Manufacturing welcomes the opportunity to quote on your special enclosure needs. Many custom features can be provided. Purchase orders received for non-catalog items are not cancelable and after shipment may not be returned.

WARRANTY: Unity Manufacturing warrants that its products shall be free from defects in material for a period of one year from date of shipment from its plant. If after our inspection a defect is revealed, Unity Manufacturing will not be held responsible for (1) any amount beyond the price of the product, (2) any unauthorized repair. This warranty shall not apply to any product that shows evidence of neglect, misuse or misinstallation, or that has been repaired or altered by any party other than this company. This warranty is and shall be in lieu of all other warranties, expressed or implied.

All products manufactured in the U.S.A.

Commercial And Government Entity (CAGE) Code OHTC9

NEMA ENCLOSURE TYPES

NEMA TYPE 1: General purpose indoor – intended primarily to prevent accidental contact with enclosed equipment, in areas where unusual service conditions do not exist.

NEMA TYPE 3R: Rainproof and sleet resistant – outdoor – intended to protect enclosed equipment against rain.

NEMA TYPE 3: Dust tight, rain tight, sleet resistant – outdoor – intended to protect enclosed equipment against wind, dust and water.

Members of:

National Association of Electrical Distributors
National Association of Manufacturers
International Association of Electrical Inspectors
Precision Metalforming Association
— NEMRA —



TEXAS PLANT &
CORPORATE HEADQUARTERS

210 E. Buckingham Rd. • Garland, Tx 75040
972-272-9502 • 1-800-657-6100 • Fax: 1-800-677-5269

Unity
MANUFACTURING

Mission Statement

We are a proud U.S. Manufacturer.
Our team strives to provide superior customer service
through a commitment to our core values:

Innovation – Integrity – Flexibility – Quality – Safety

visit us at
www.unitymfg.com